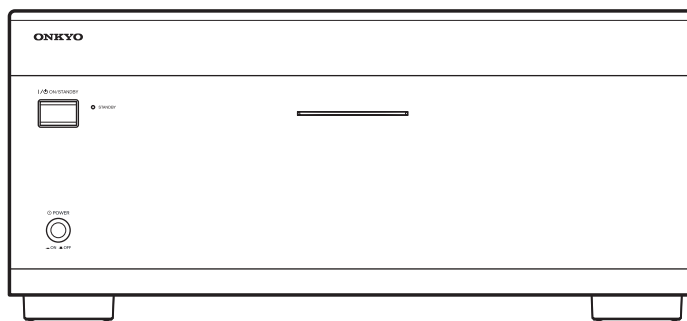


ONKYO SERVICE MANUAL

9-Channel Amplifier MODEL PA-MC5500



Black model

BMDC	120V AC, 60Hz
BMMP BMMR	220-240V AC, 50/60Hz

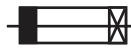
SAFETY-RELATED COMPONENT WARNING!!

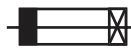
COMPONENTS IDENTIFIED BY MARK \triangle ON THE SCHEMATIC DIAGRAM AND IN THE PARTS LIST ARE CRITICAL FOR RISK OF FIRE AND ELECTRIC SHOCK. REPLACE THESE COMPONENTS WITH ONKYO PARTS WHOSE PART NUMBERS APPEAR AS SHOWN IN THIS MANUAL.

MAKE LEAKAGE-CURRENT OR RESISTANCE MEASUREMENTS TO DETERMINE THAT EXPOSED PARTS ARE ACCEPTABLY INSULATED FROM THE SUPPLY CIRCUIT BEFORE RETURNING THE APPLIANCE TO THE CUSTOMER.

SERVICE PROCEDURE

1. Replacing the fuses

 This symbol located near the fuse indicates that the fuse used is show operating type, For continued protection against fire hazard, replace with same type fuse, For fuse rating, refer to the marking adjacent to the symbol.

 Ce symbole indique que le fusible utilise est e lent. Pour une protection permanente, n'utiliser que des fusibles de meme type. Ce demier est indique la qu le present symbol est appose.

REF NO.	PART NAME	DESCRIPTION	PART NO.	REMARKS
F6601	FUSE	20A-UL-250V	252304GR	!
F6602	FUSE	20A-UL-250V	252304GR	!
F6603	FUSE	20A-UL-250V	252304GR	!
F6604	FUSE	20A-UL-250V	252304GR	!
F9100	FUSE	6.3A-SE-EAK FUSE	252079GR	! <MMP><MMR>
F9100	FUSE	12A-UL-ST6	252340GR	! <MDC>
F9100 or	FUSE	6.3A-SE-TL250V	252279GR	! <MMP><MMR>
F9301	FUSE	3.15A-UL/T-233	252323GR	!
F9301 or	FUSE	3.15A-T/UL-ST2	252256GR	!
F9401	FUSE	3.15A-UL/T-233	252323GR	!
F9401 or	FUSE	3.15A-T/UL-ST2	252256GR	!
F9402	FUSE	3.15A-UL/T-233	252323GR	!
F9402 or	FUSE	3.15A-T/UL-ST2	252256GR	!

<Notes>

<MDC> : Canadian model

<MMP> : European model

<MMR> : Chinese model

2. Safety check out

(U.S.A. model only)

After correcting the original service problem, perform the following safety check before releasing the unit to the customer.

Leakage current Check

Measure the leakage current to a known earth ground (water pipe or conduct etc.) by connecting a leakage current tester between the earth ground and exposed metal parts of the unit (input/output ground terminals, screw heads or metal overlays etc.). Plug the power supply cord directly into a 120Vac 60Hz wall socket and turn ON/STANDBY button on.

Any current measured must not exceed 0.5mA.

3. To initialize position

Power Switch ————— ON (Pull out the power cord at power on stage)

4 ohm / 6 ohm ————— 6 ohm

Auto Power Down ————— PA-MC5500 MMP: ON
Others: OFF

Input selector ————— Unbalance

ADJUSTMENT PROCEDURE

1. Adjustment of Idling current

Set the voltage point at P6070 to P6078 to 3.0mV by adjusting R6040 to P6048, under the conditions of no input signal and no load, immediately after power ON.

L / C / R / SL / SR / SBL / SBR / LH / RH		
Below	3mV	3mV
Between	3 to 4mV	Leave it as it is.
Over	4mV	4mV

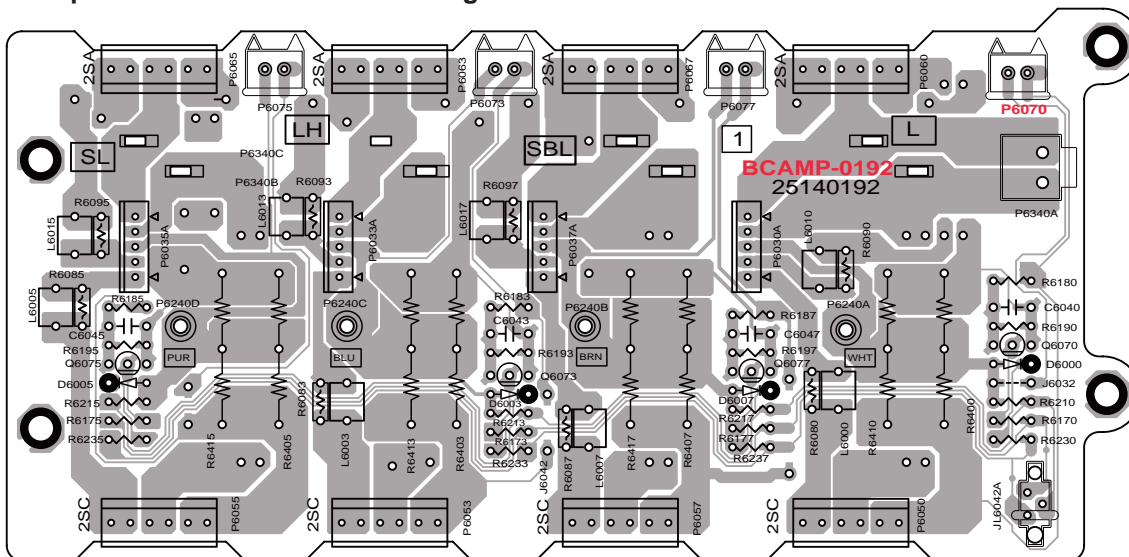
Re-adjust by following procedure after 4 to 6 munis of heat running.

NOTE:

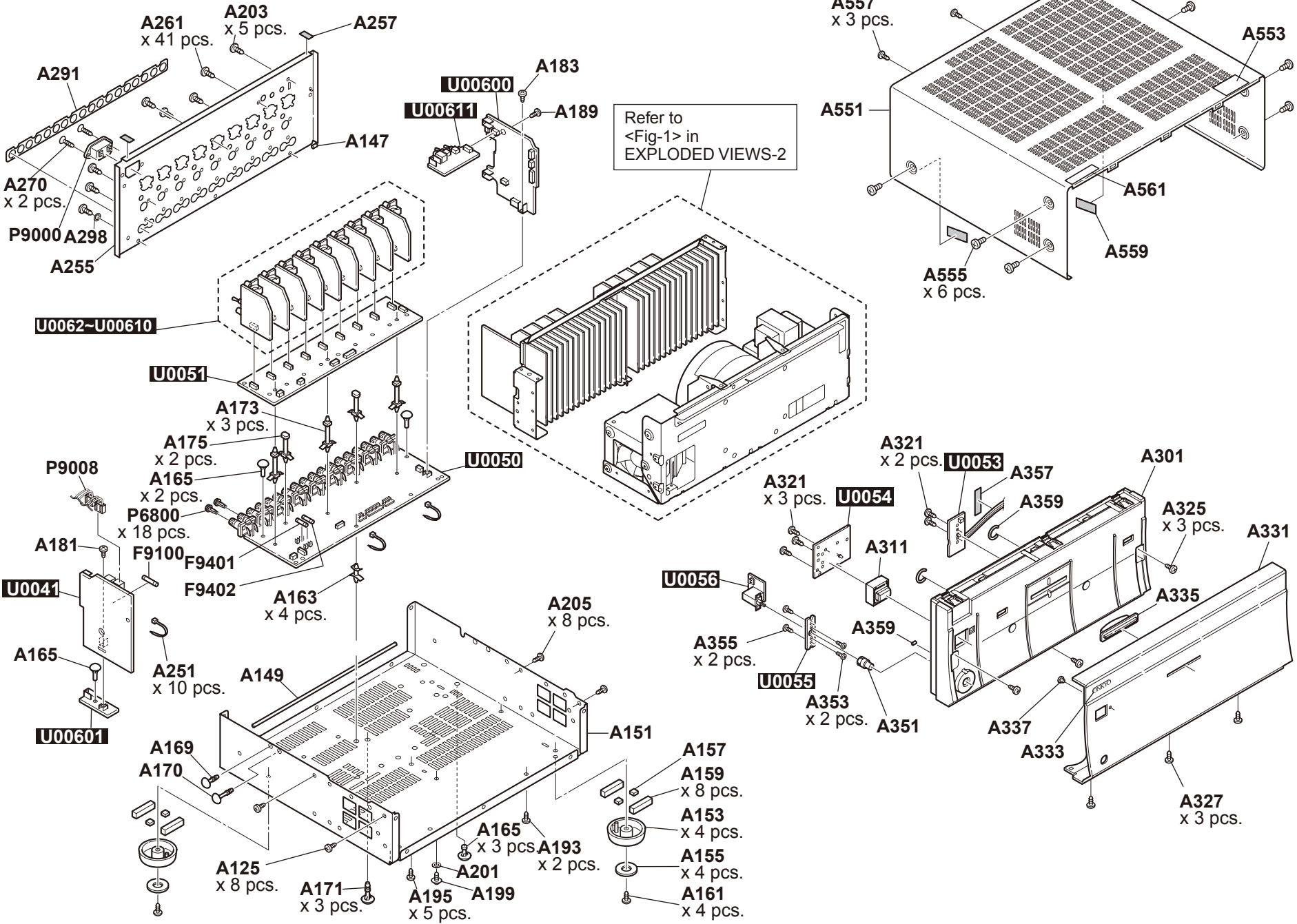
Set R6040 to R6048 to minimum position before power ON.

Equip series 1/4W 100-ohm resistor near the terminal respectively in the each poles.

Component side view from soldering side

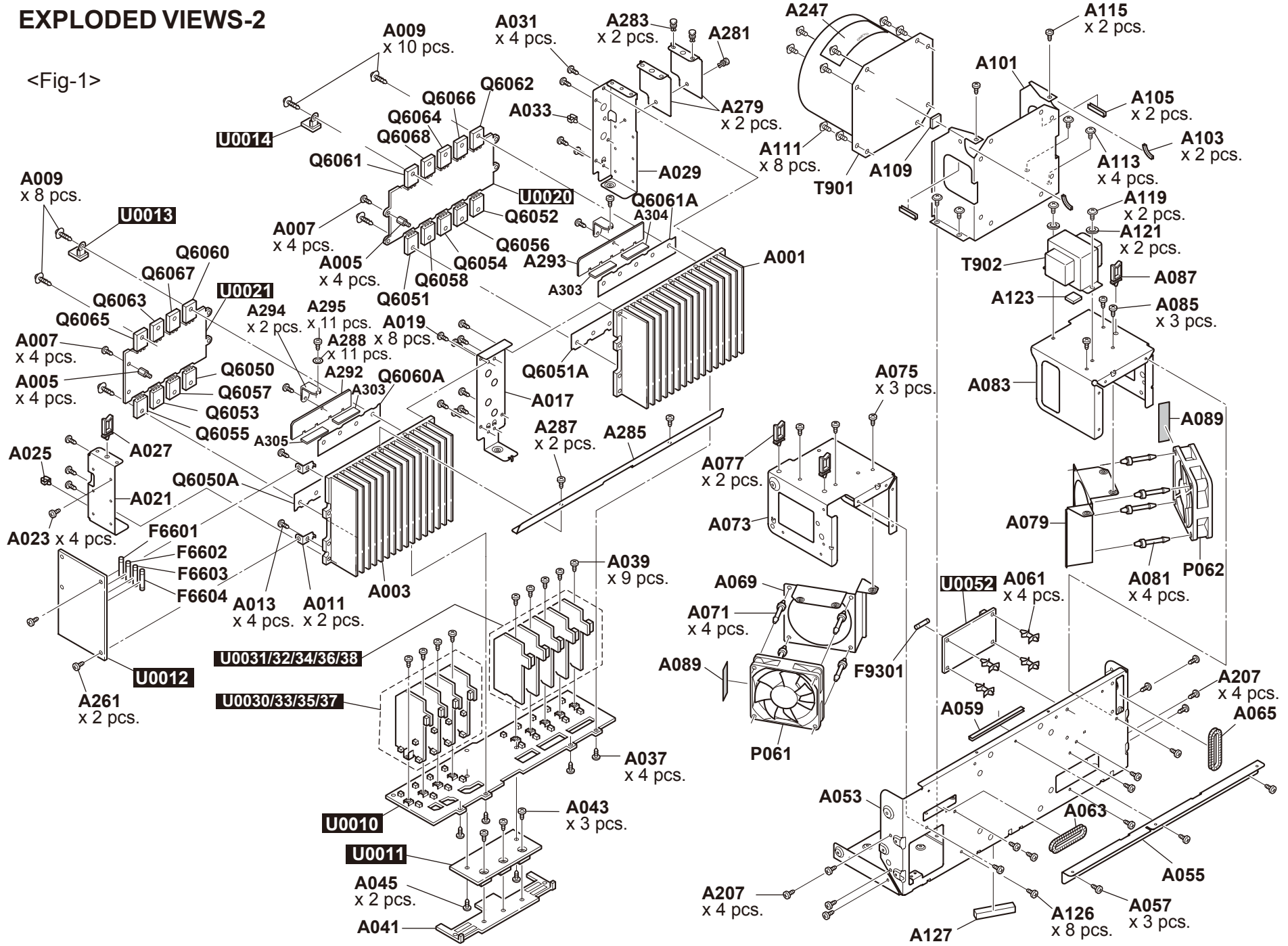


EXPLODED VIEWS-1

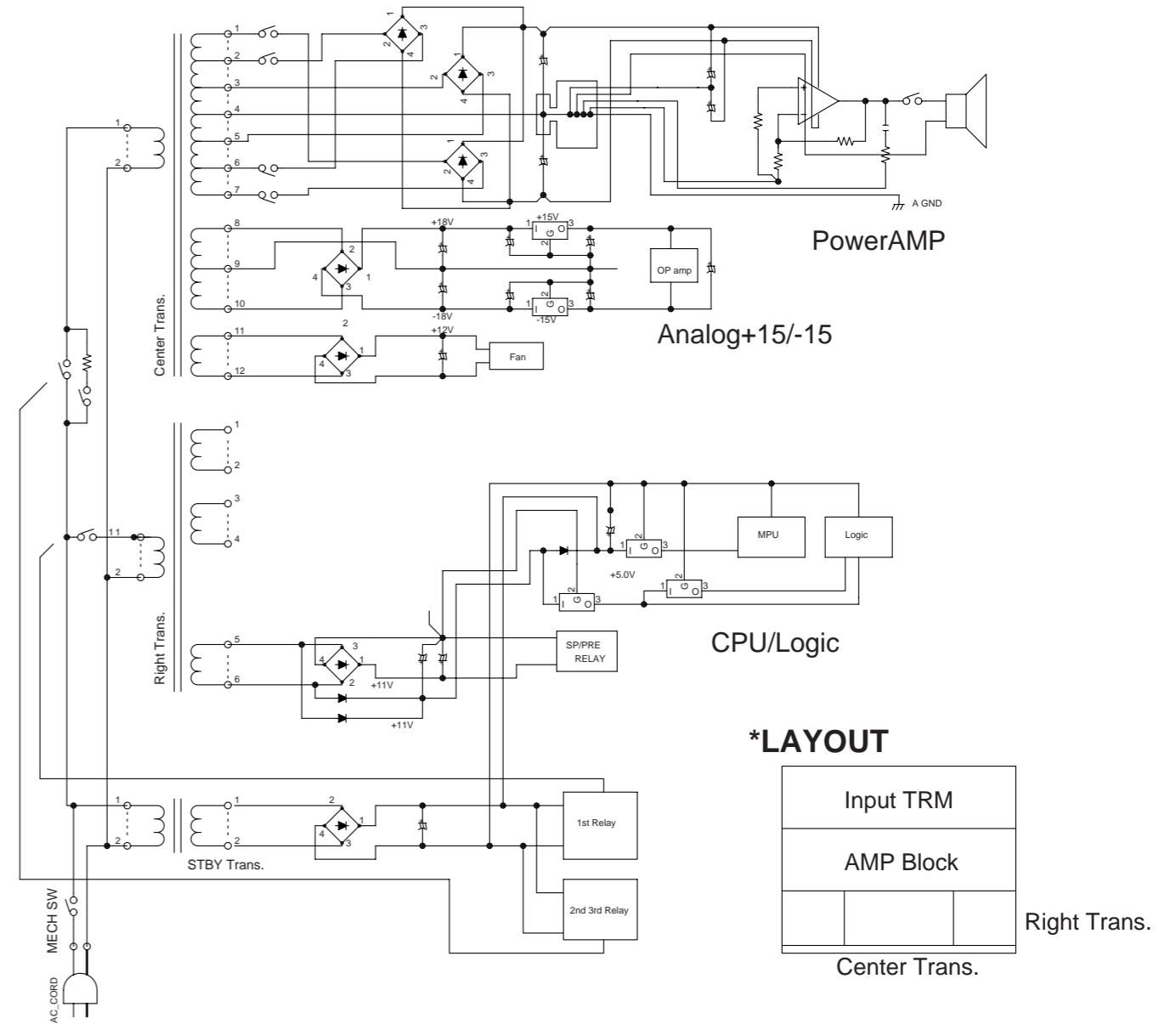
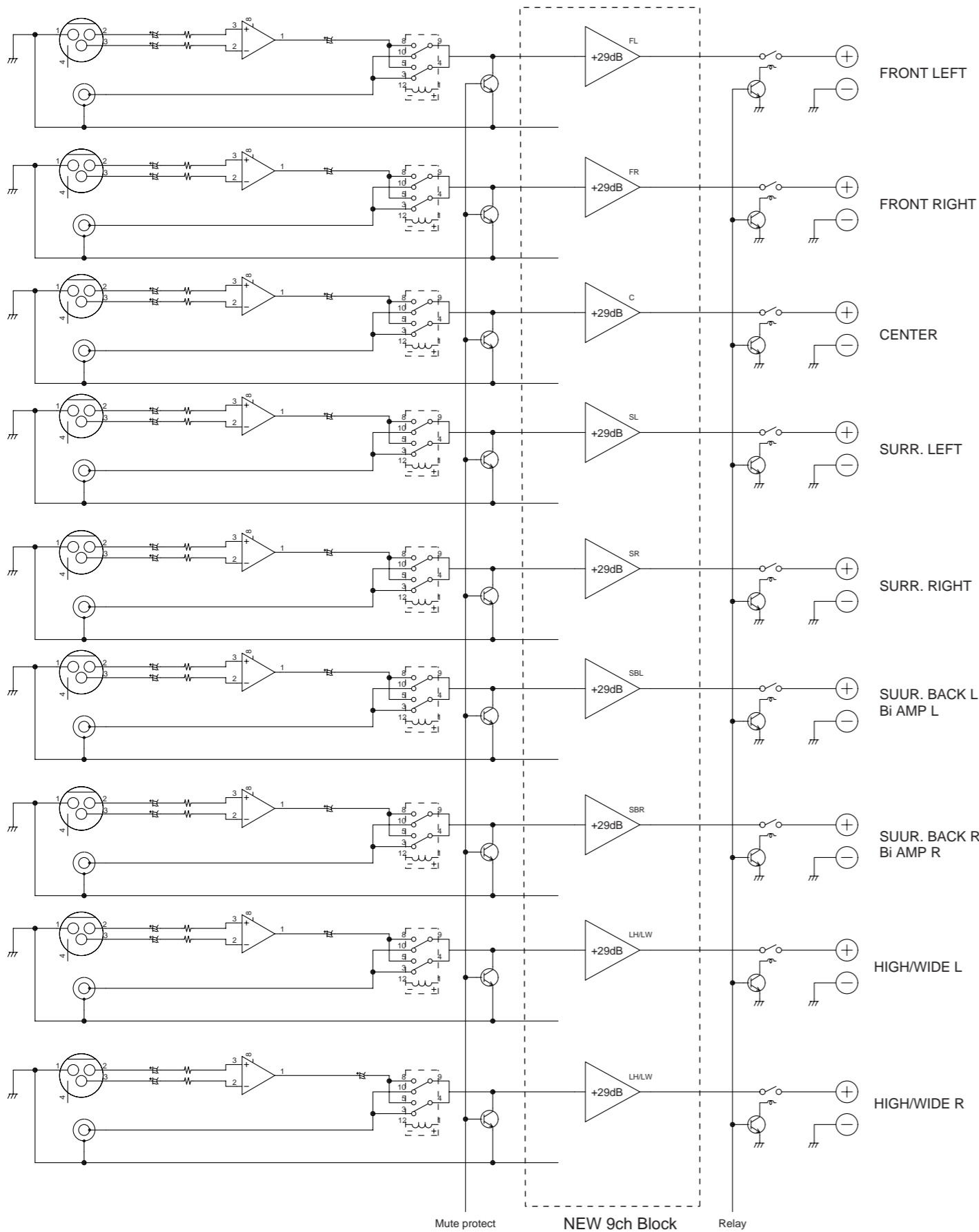


EXPLODED VIEWS-2

<Fig-1>



**SCHEMATIC DIAGRAMS-1
BLOCK DIAGRAM**

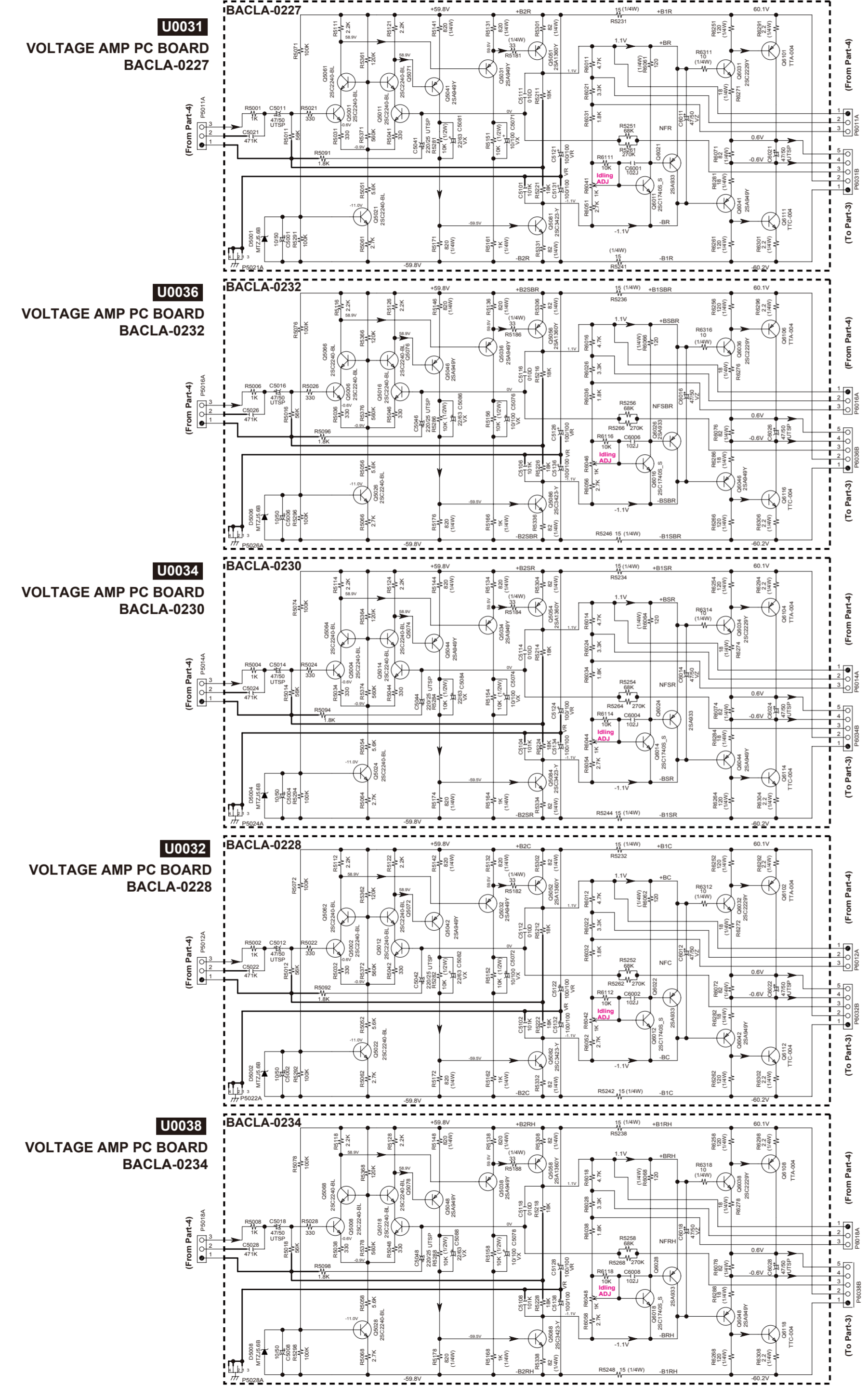


LIST OF SCHEMATIC DIAGRAM & BLOCK DIAGRAM

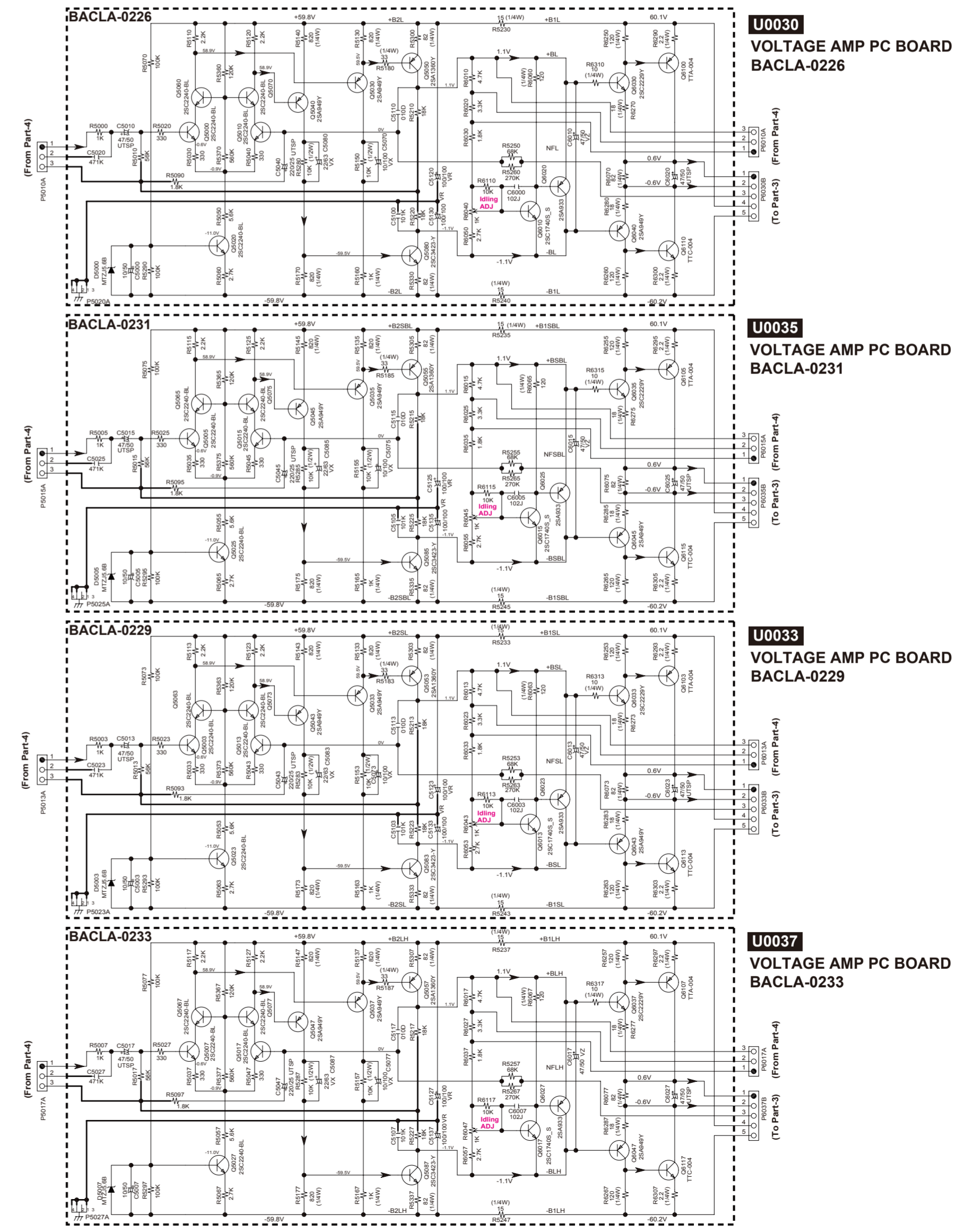
PART NO	FUNCTION	MODEL	
		PA-MC5500	DTA-70.1
PART-1	BLOCK DIAGRAM	YES	YES
PART-2	AMP1 (VoltageAMP) SECTION	YES	YES
PART-3	AMP2 (Final stage) SECTION	YES	YES
PART-4	AMP3 (Power supply..etc) SECTION	YES	YES
PART-5	INPUT TERMINAL SECTION	YES	YES
PART-6	INPUT TERMINAL BASE SECTION	YES	YES
PART-7	CPU SECTION	YES	YES
PART-8	SPWAKER TERMINAL SECTION	YES	YES
PART-9	FRONT PANEL &DG PS SECTION	YES	YES
PART-10	PS (Primary PS stage) SECTION	YES	YES

SCHEMATIC DIAGRAMS-2
AMP-1 (Voltage AMP) SECTION

FR/SR/SBR/RH/C, U0031/32/34/36/38 : Circuit is same, there is compatibility.



FL/SL/SBL/LH, U0030/33/35/37 : Circuit is same, there is compatibility.



- IDLING CURRENT ADJUSTMENT**
- Adjust 30mV immediately after power on.
 - Wait for 4 - 6 minutes after power on. (Heat running)
 - Re-adjust the trimming resistors according to the following values.

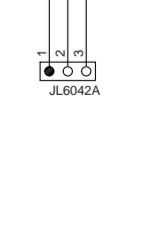
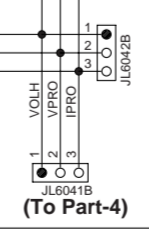
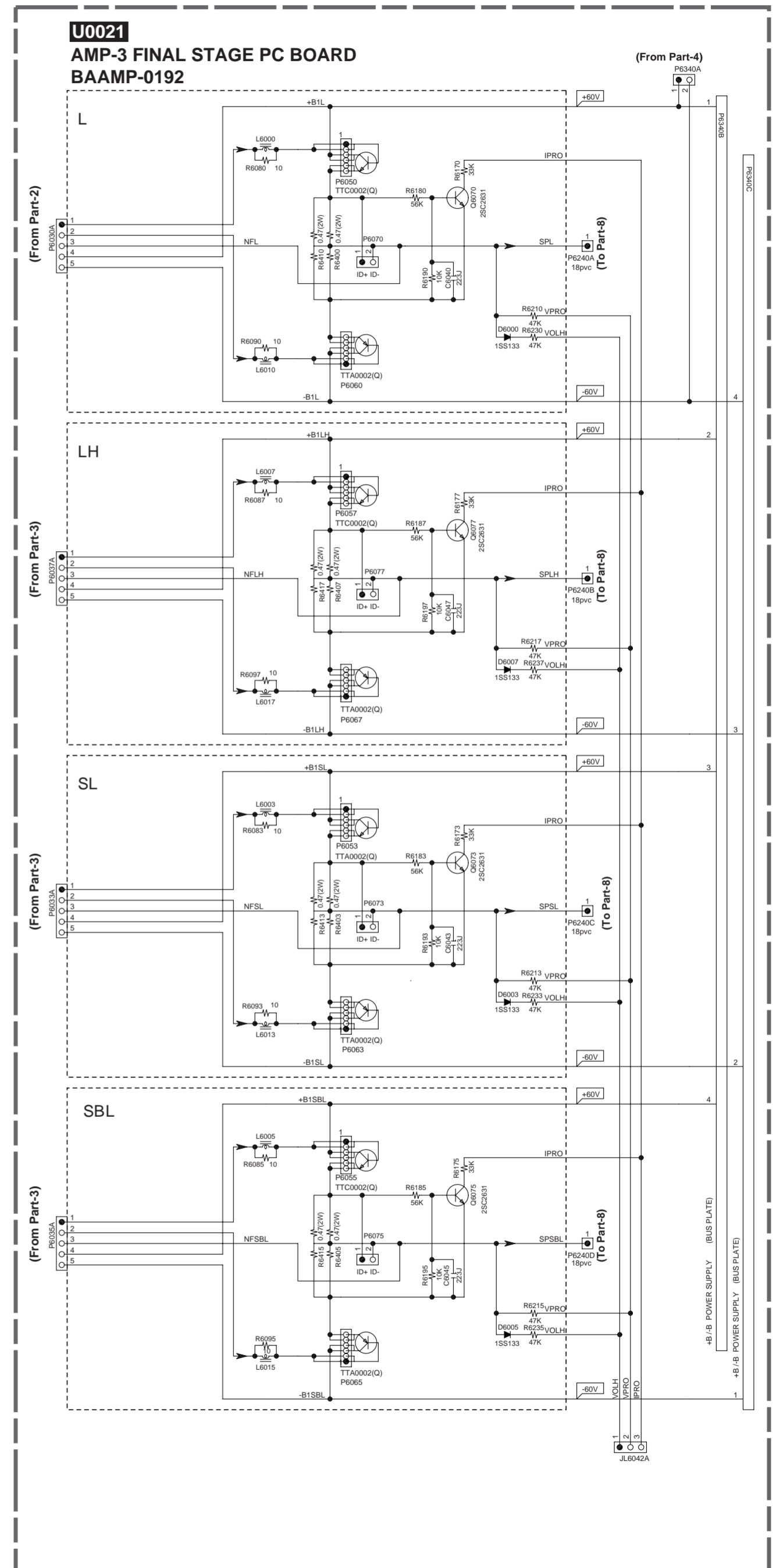
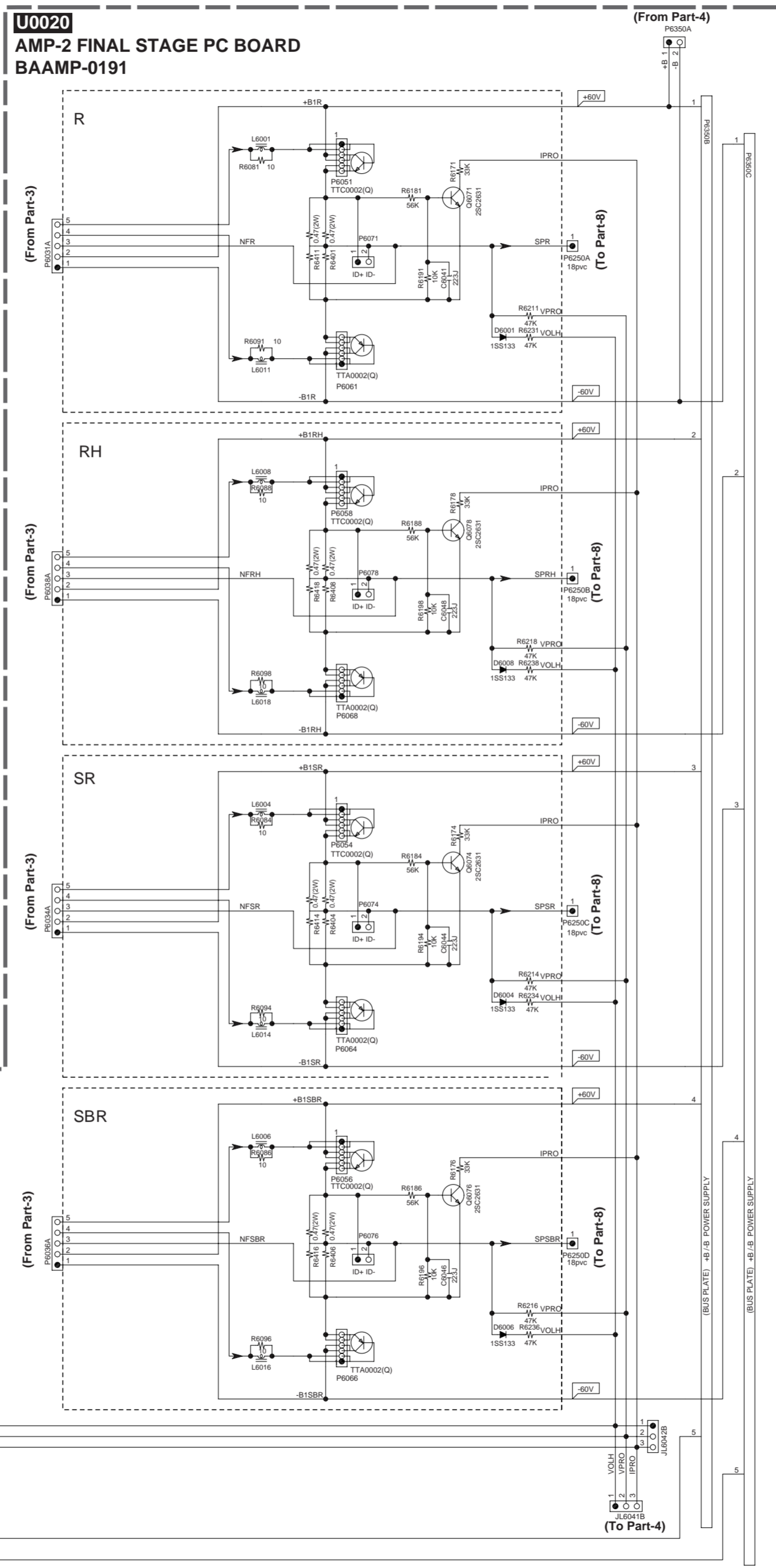
Adjustment point	Measured value	Re-adjustment value
R6040 - R6048	In case below 3 mV	→ 3 mV
	In case 3 - 4 mV	→ No re-adjustment
	In case over 4mV	→ 4 mV

- NOTE**
- THE COMPONENTS IDENTIFIED BY MARK Δ ARE CRITICAL FOR SAFETY.
 - REPLACE ONLY WITH PART NUMBER SPECIFIED.
 - BOLD VOLTAGE (MEASURED WITH VOLTMETER) IS DC VOLTAGE (NO INPUT SIGNAL).
 - ALL PNP TRANSISTORS ARE EQUIVALENT TO 2SC1815-GR UNLESS OTHERWISE NOTED.
 - ALL NPN TRANSISTORS ARE EQUIVALENT TO 2SC1815-GR UNLESS OTHERWISE NOTED.
 - ALL DIODES ARE EQUIVALENT TO 1S1813 UNLESS OTHERWISE NOTED.
 - ELECTROLYTIC CAPACITORS (1000 μ) ARE IN μ F/WV.
 - ALL CAPACITORS ARE IN PFD/50WV UNLESS OTHERWISE NOTED.
 - EX: 030-3pF, 330-33pF, 331-330pF, 333-0.033 μ F
 - ALL RESISTORS ARE IN OHMS 1/6 WATT UNLESS OTHERWISE NOTED.
 - THE THICK LINES ON PC BOARD ARE THE PRINTING SIDE OF THE PARTS. EX: 1000 μ SIDE
 - "NM" AND "NC" ARE SHORT FOR "NOT MOUNTED" AND "NOT CONNECTED", WHICH MEANS NO PART IS MOUNTED ON WIRING PATTERN OF PCB.
 - CIRCUIT IS SUBJECT TO CHANGE FOR IMPROVEMENT.

SCHEMATIC DIAGRAMS-3

AMP 2 (Final Stage AMP) SECTION

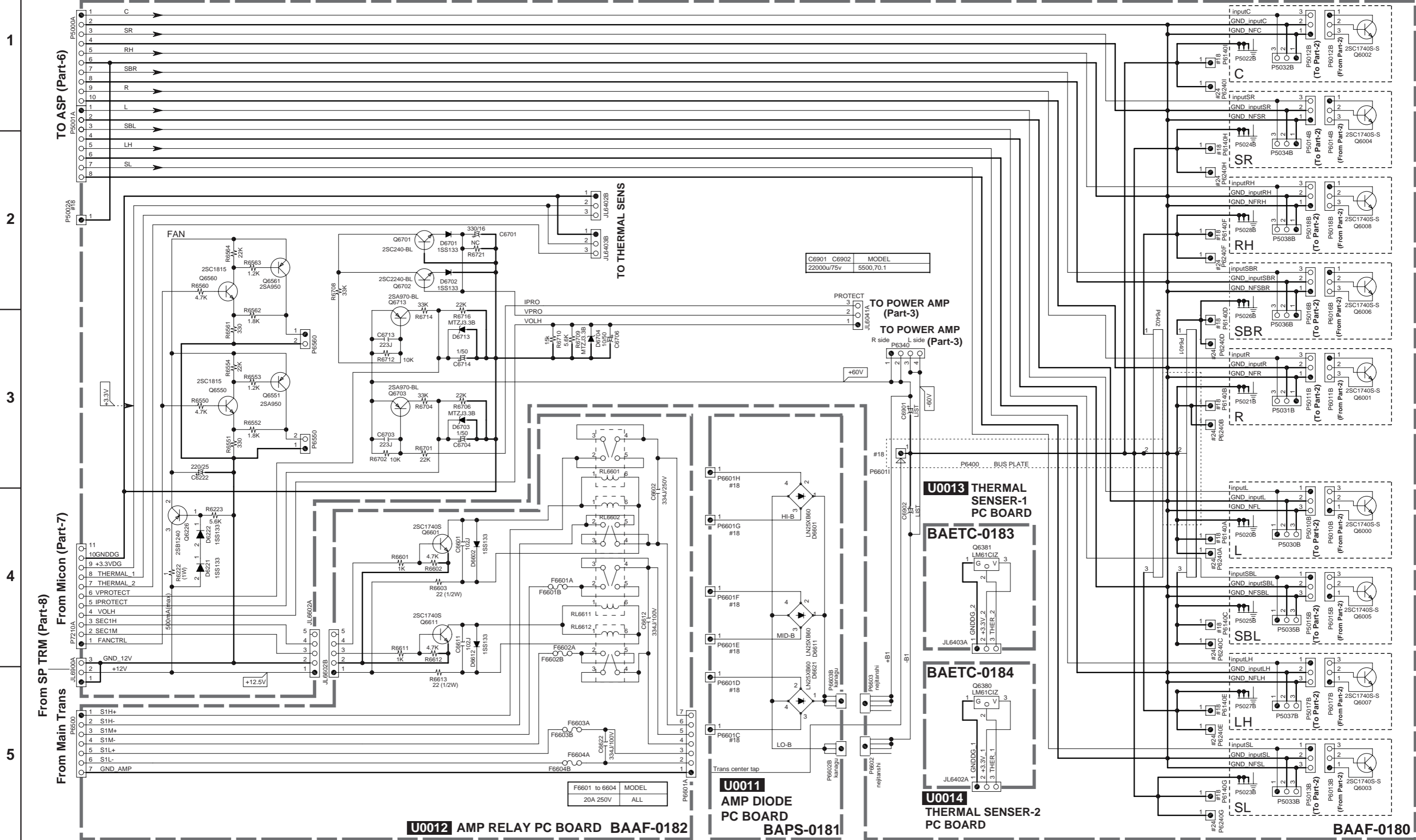
1
2
3
4
5
6
7
8



SCHEMATIC DIAGRAMS-4

AMP 4 (Power supply, Protect, etc) SECTION

U0010 AMP POWER SUPPLY PC BOARD BAAF-0180



TO ASP (Part-6)

From SP TRM (Part-8)
From Micon (Part-7)

From Main Trans

TO THERMAL SENS

PROTECT
TO POWER AMP (Part-3)
TO POWER AMP (Part-3)

U0013 THERMAL SENSER-1 PC BOARD BAEYC-0183

U0014 THERMAL SENSER-2 PC BOARD BAEYC-0184

U0011 AMP DIODE PC BOARD BAPS-0181

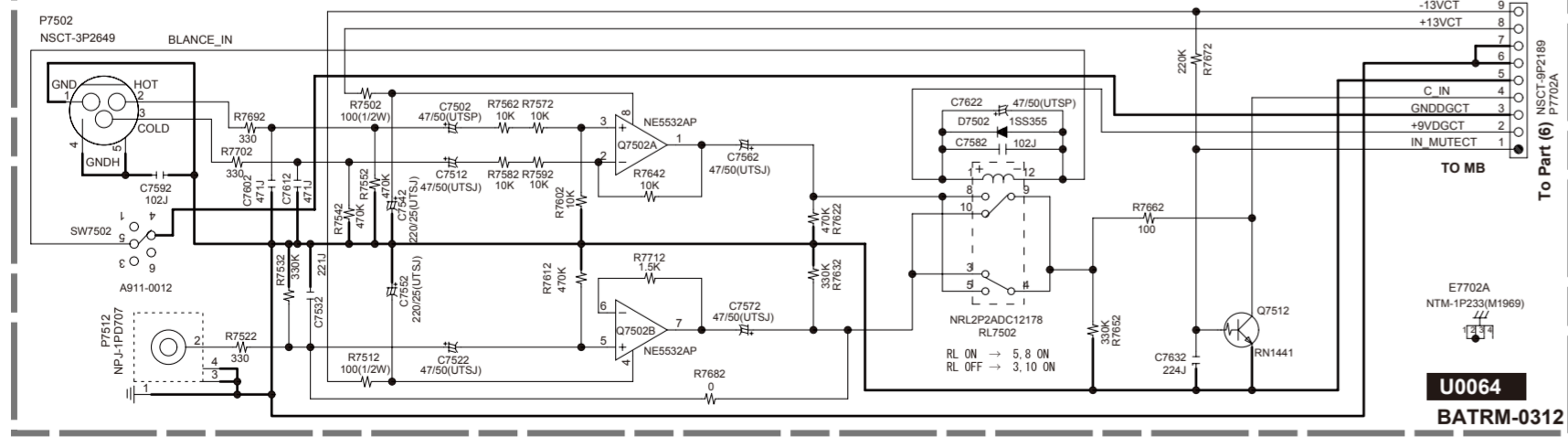
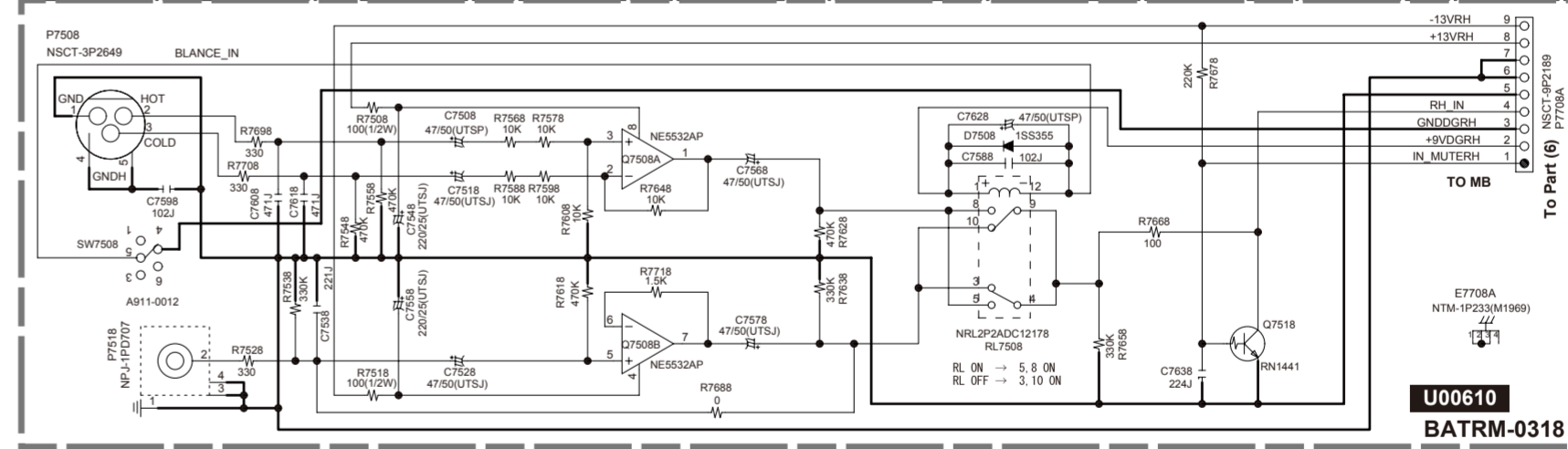
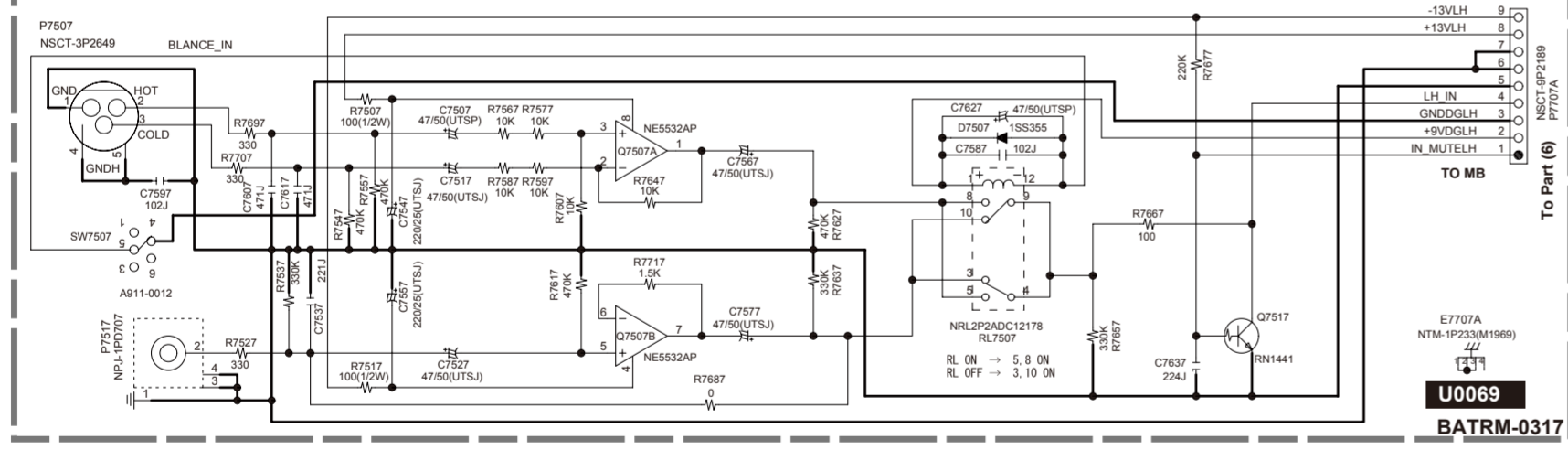
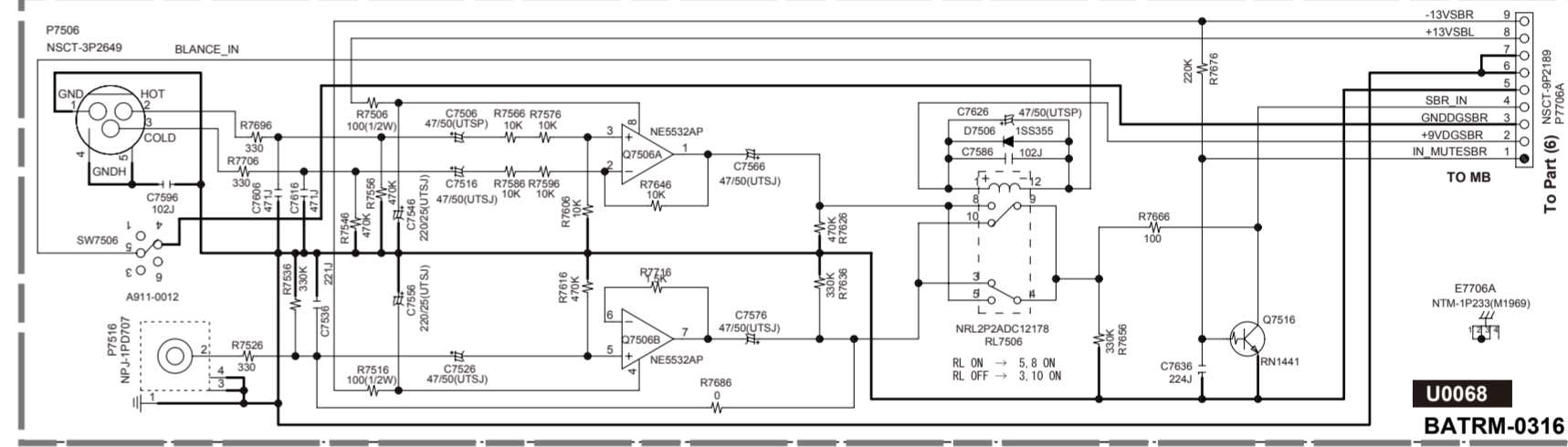
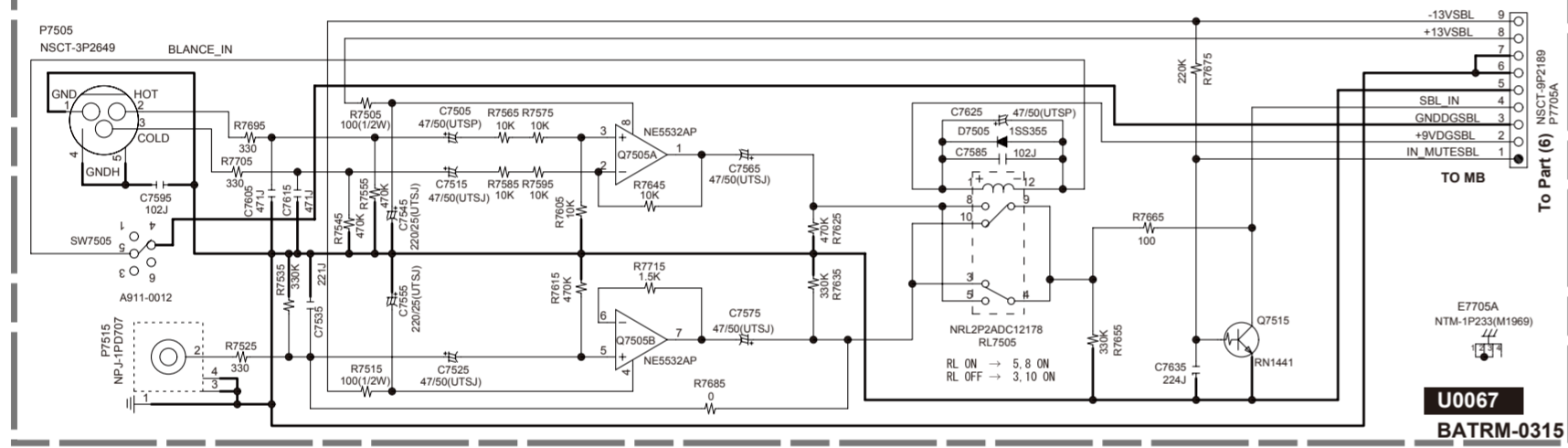
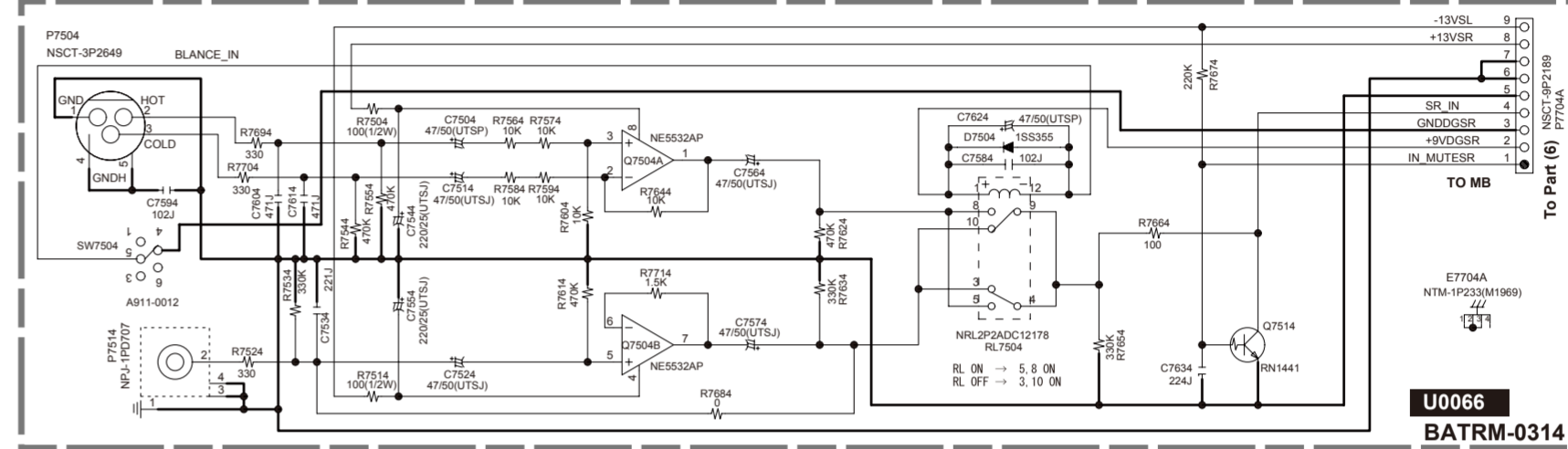
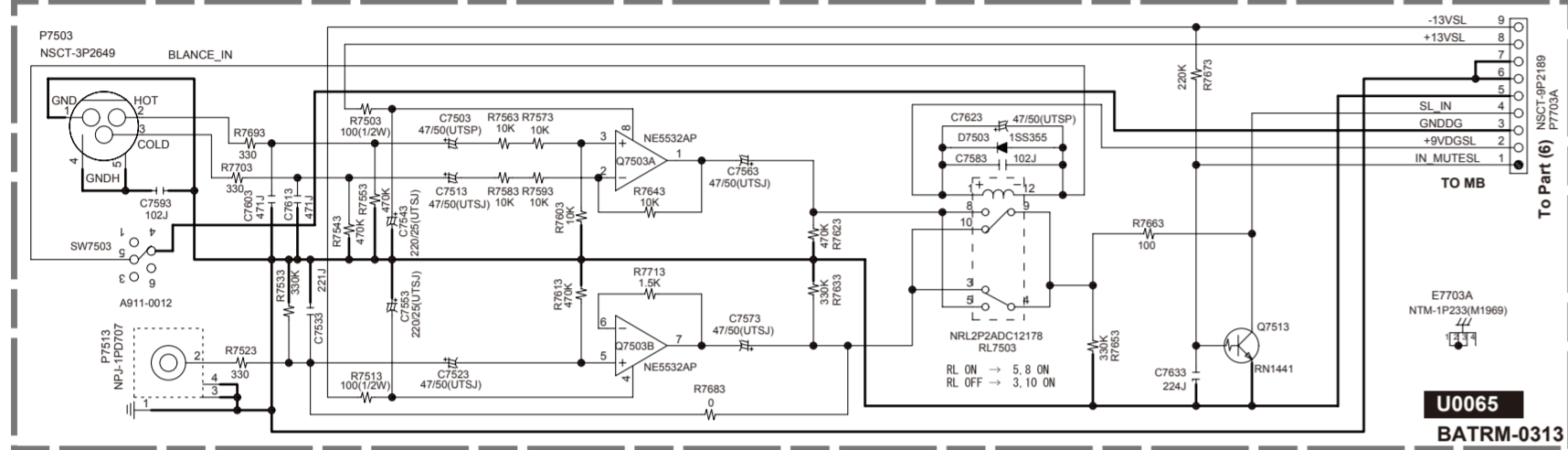
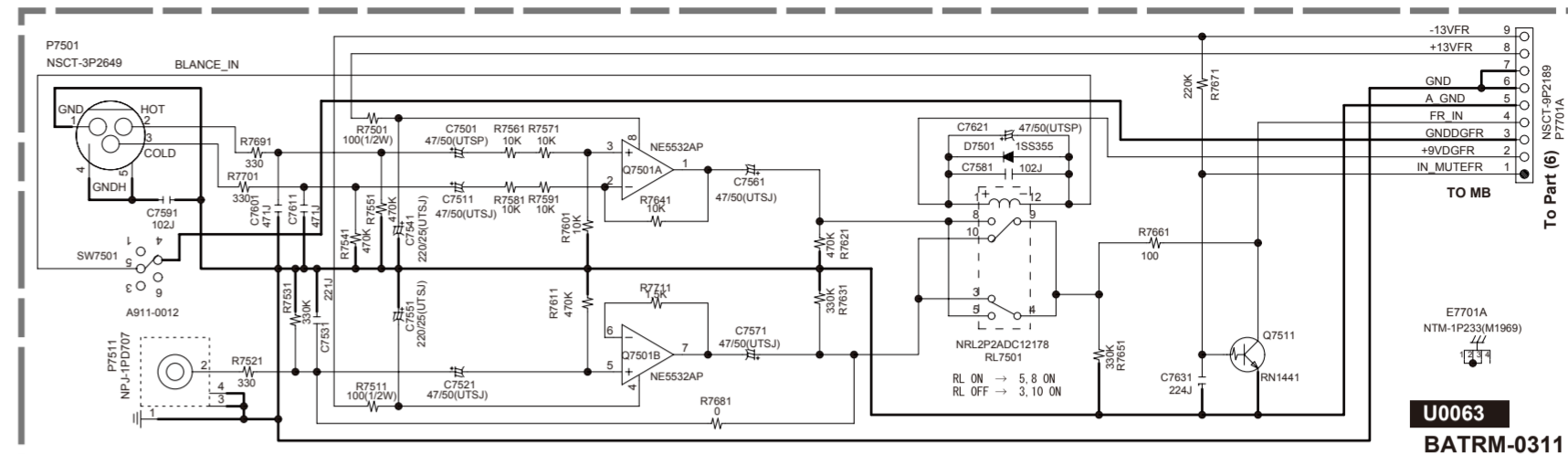
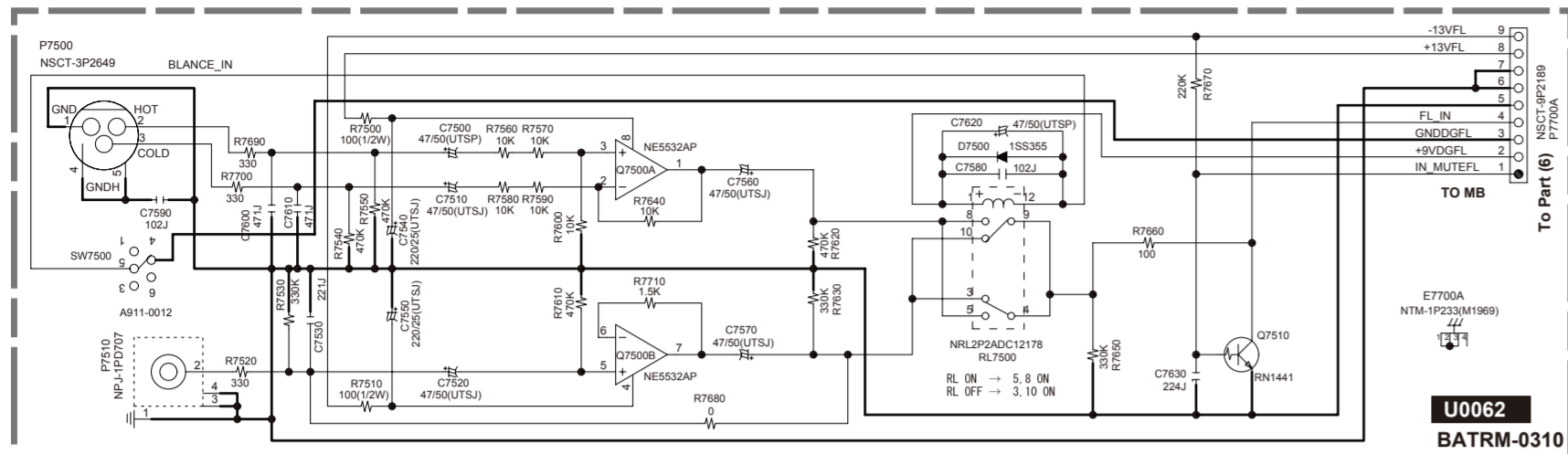
U0012 AMP RELAY PC BOARD BAAF-0182

BAAF-0180

SCHEMATIC DIAGRAMS-5

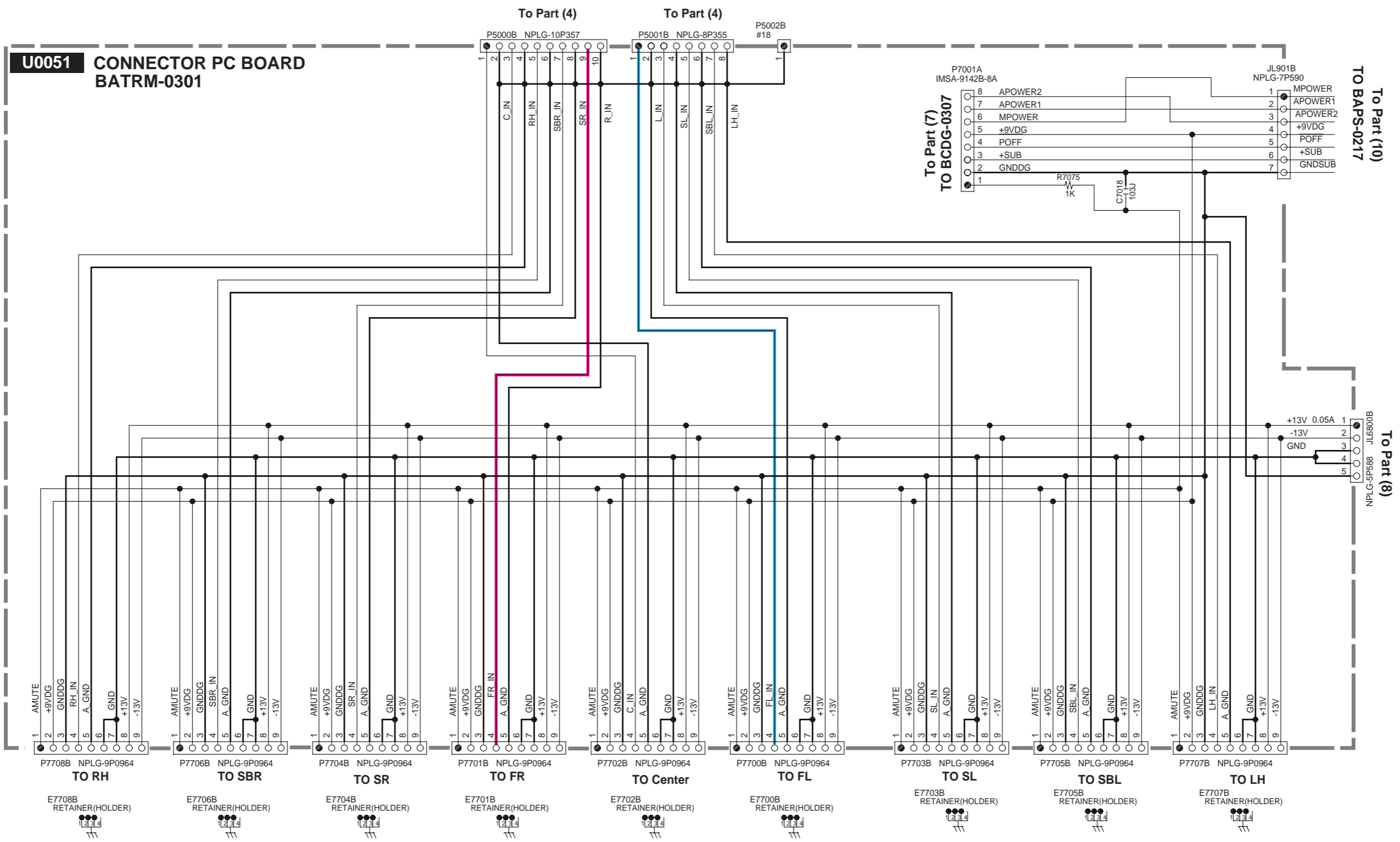
INPUT TERMINAL SECTION (U0062~U00610, Circuit is same, there is compatibility.)

1
2
3
4
5
6
7
8



SCHEMATIC DIAGRAMS-6 INPUT TERMINAL (HOLDER) SECTION

1
2
3
4
5



SCHEMATIC DIAGRAMS-7 CPU SECTION

U00600 CPU PC BOARD BADG-0307

BADG-0307

U00611 AUTO POWER SAVE SWITCH PC BOARD

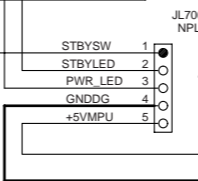
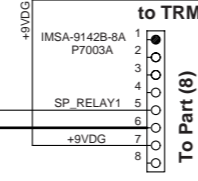
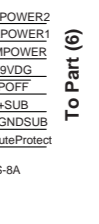
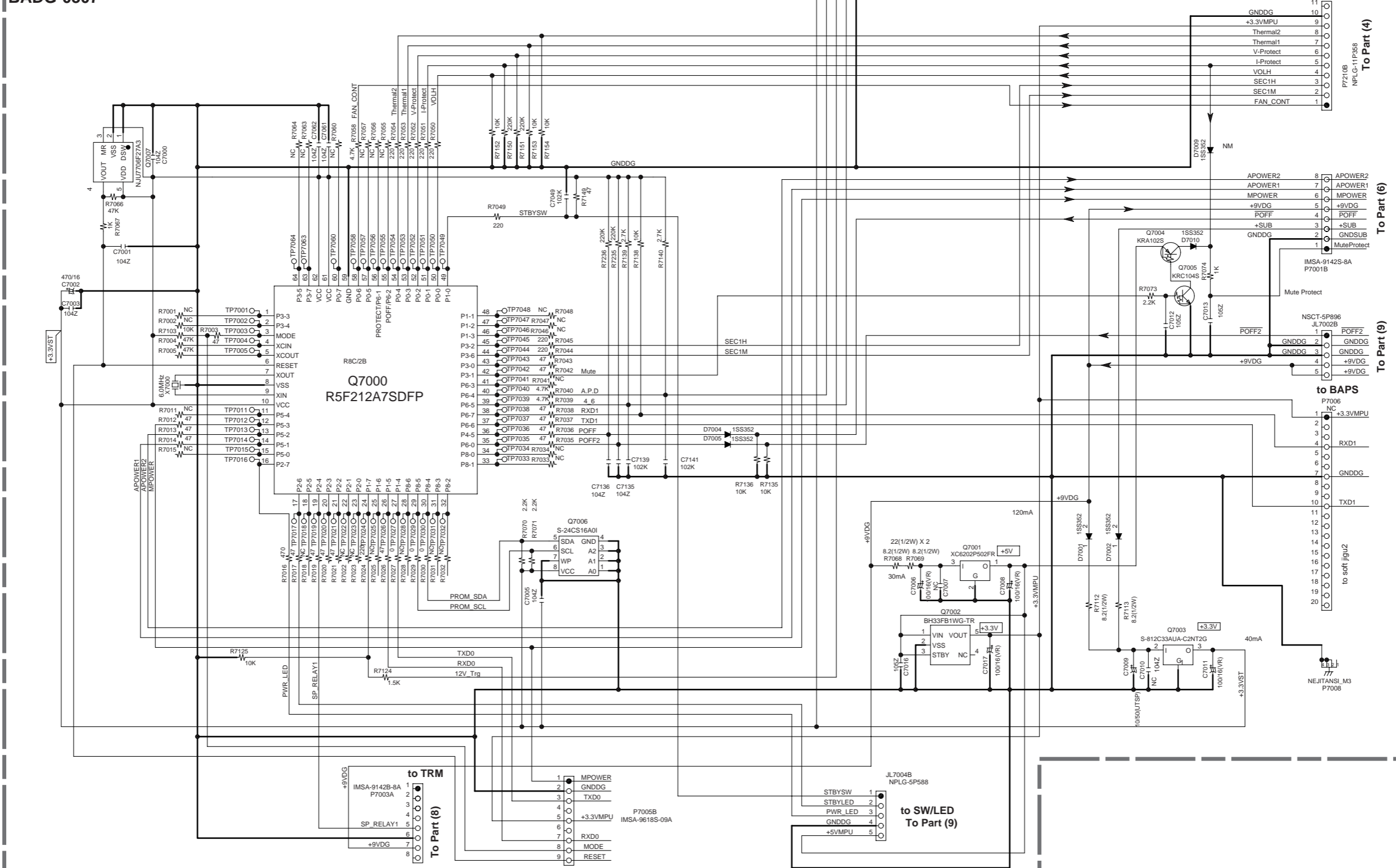
1

2

3

4

5



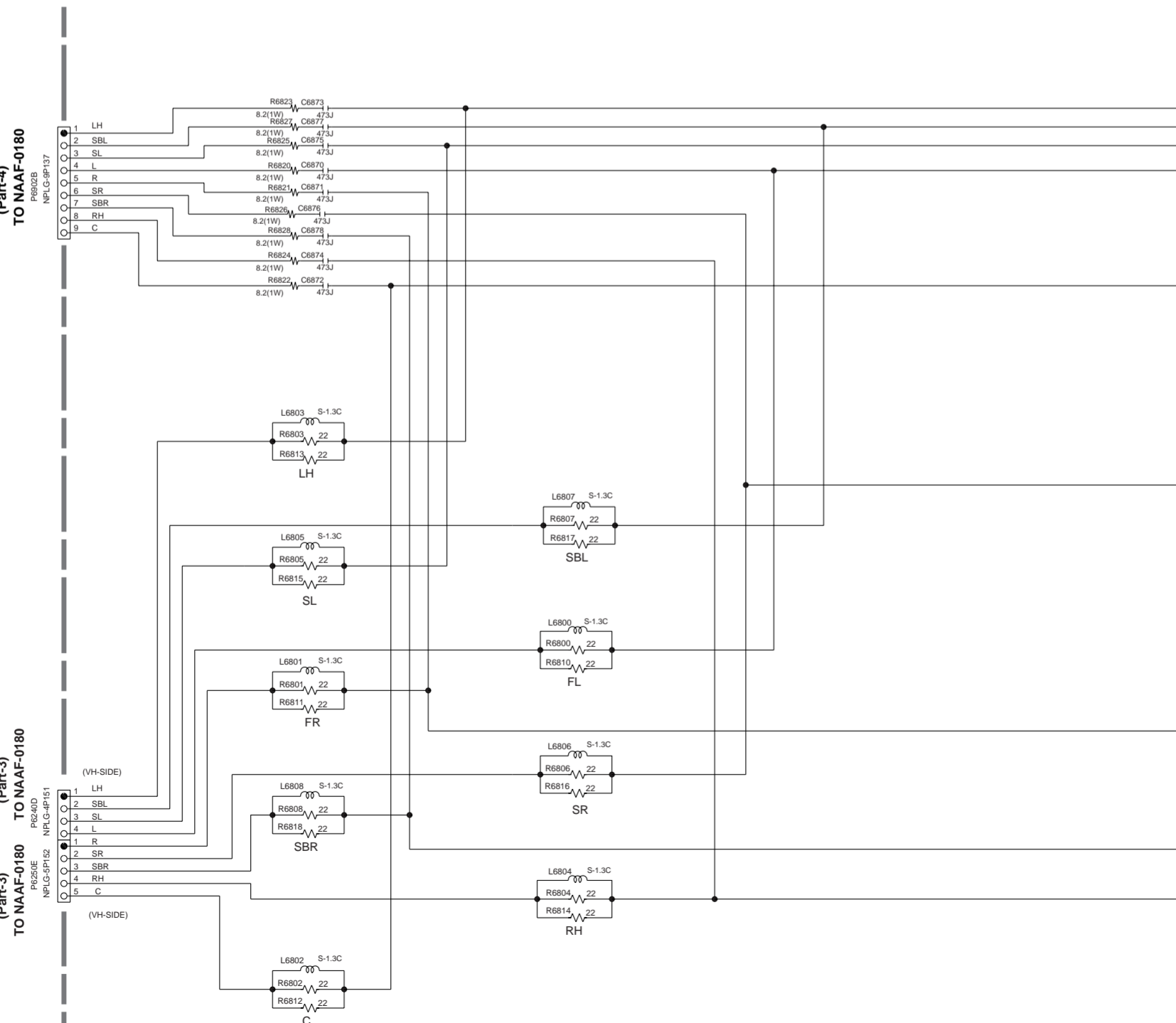
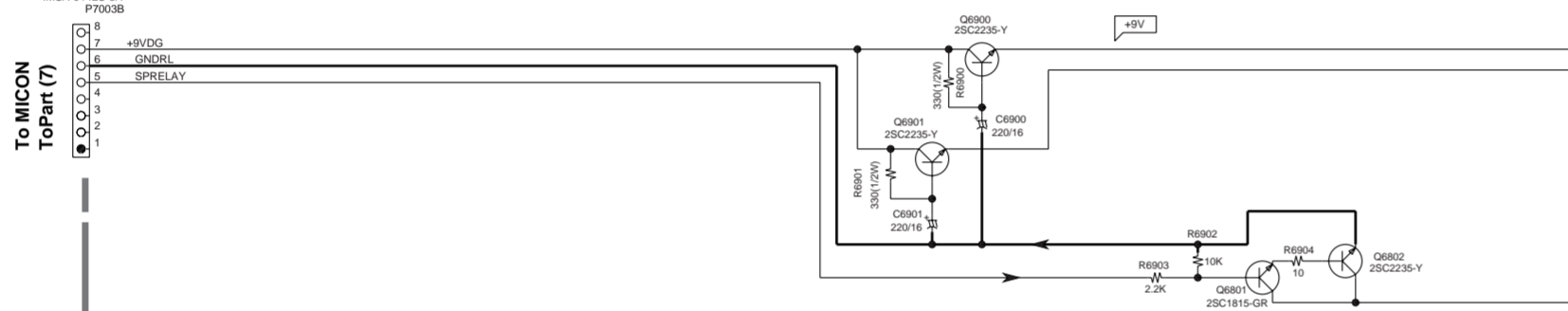
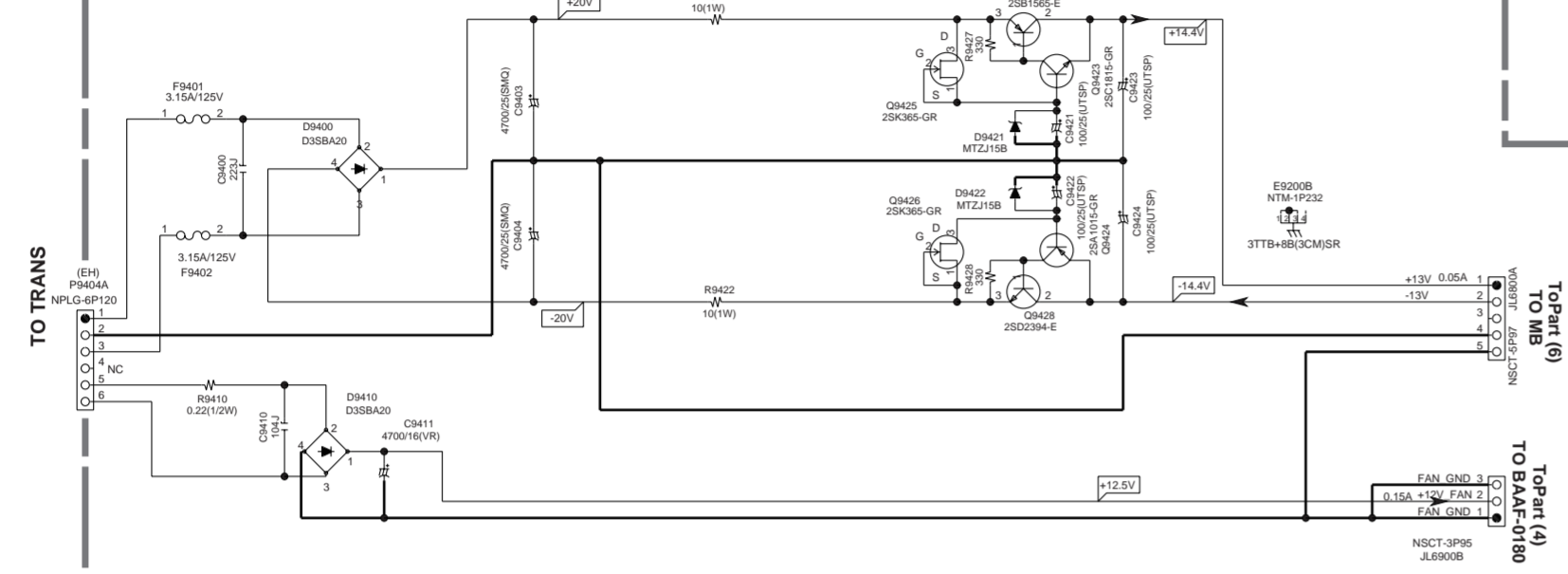
SCHEMATIC DIAGRAMS-8

SPEAKER TERMINAL SECTION

1
2
3
4
5
6
7
8

U0050 SPEAKER TERMINAL PC BOARD

BATRM-0300



To Part (6)

To Part (4)

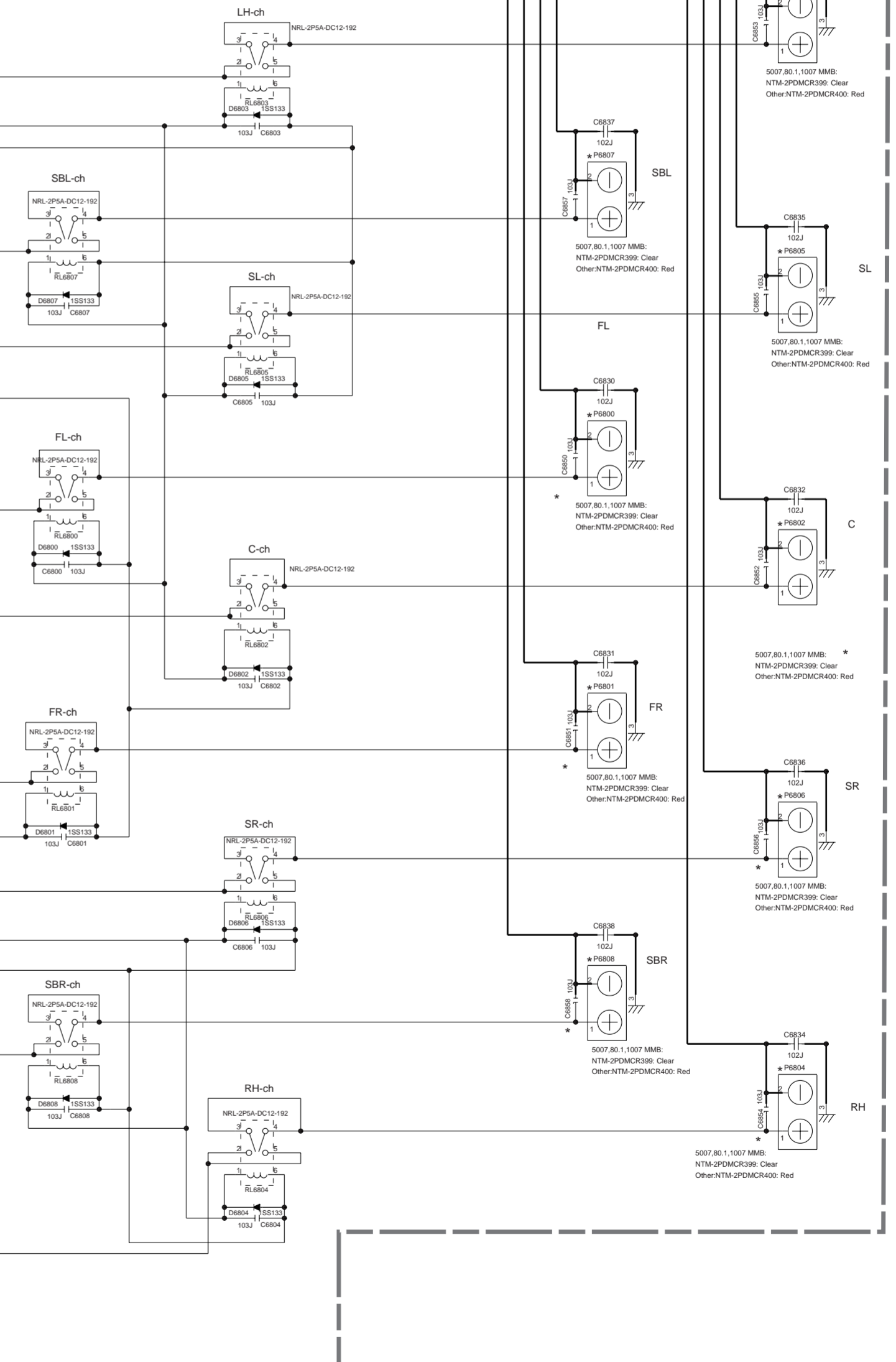
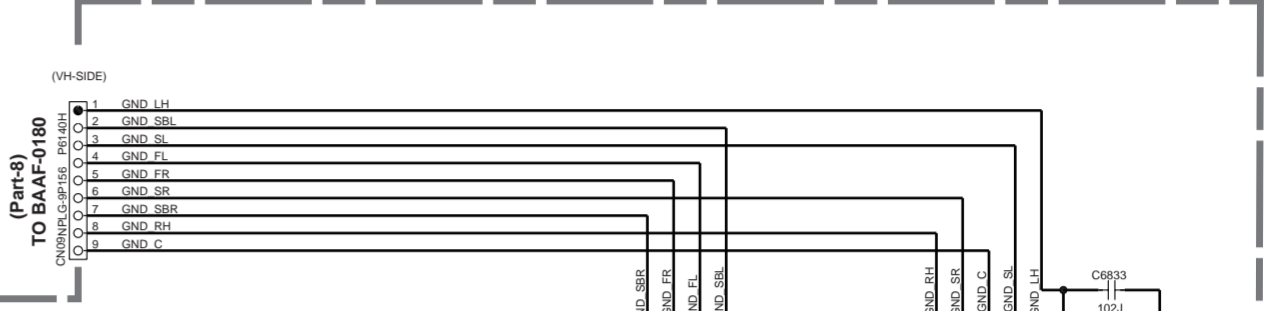
To Part (7)

To Part (1)

To Part (2)

To Part (3)

To Part (5)



LH

SBL

SL

FL

C

FR

SR

SBR

RH

5007.80.1.1007 MMB:
NTM-2PDMCR399: Clear
Other:NTM-2PDMCR400: Red

5007.80.1.1007 MMB:
NTM-2PDMCR399: Clear
Other:NTM-2PDMCR400: Red

5007.80.1.1007 MMB:
NTM-2PDMCR399: Clear
Other:NTM-2PDMCR400: Red

5007.80.1.1007 MMB:
NTM-2PDMCR399: Clear
Other:NTM-2PDMCR400: Red

5007.80.1.1007 MMB:
NTM-2PDMCR399: Clear
Other:NTM-2PDMCR400: Red

5007.80.1.1007 MMB:
NTM-2PDMCR399: Clear
Other:NTM-2PDMCR400: Red

A

B

C

D

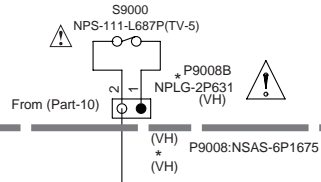
E

SCHEMATIC DIAGRAMS-9

FRONT PANEL & DG_POWER SECTION

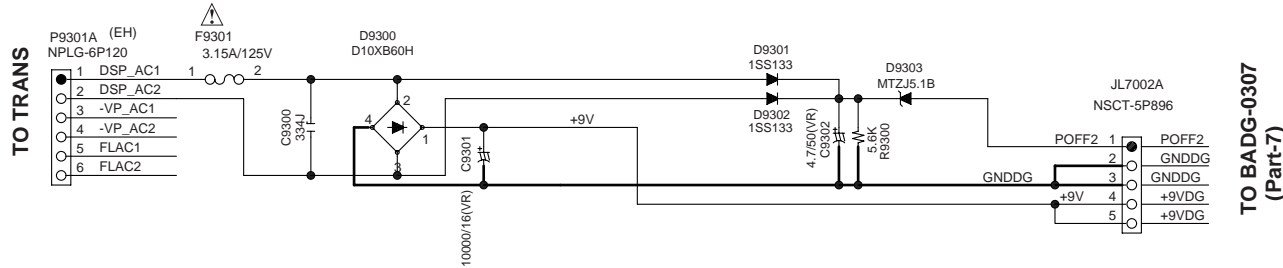
1

U0056 POWER SWITCH PC BOARD
BASW-0306



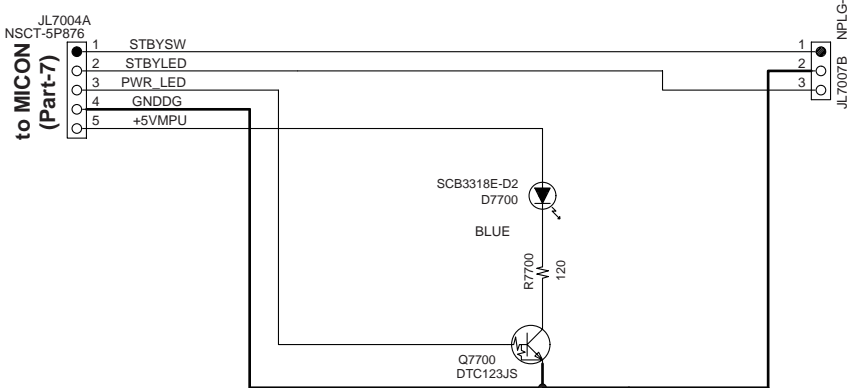
2

U0052 DG POWER SUPPLY PC BOARD
BAPS-0302



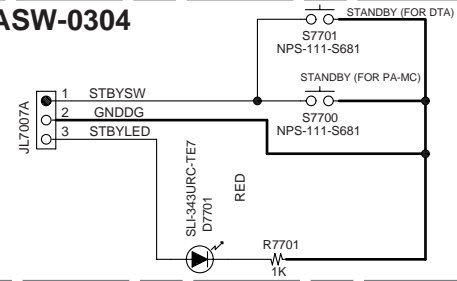
3

U0053 STANDBY LED PC BOARD
BADIS-0303



4

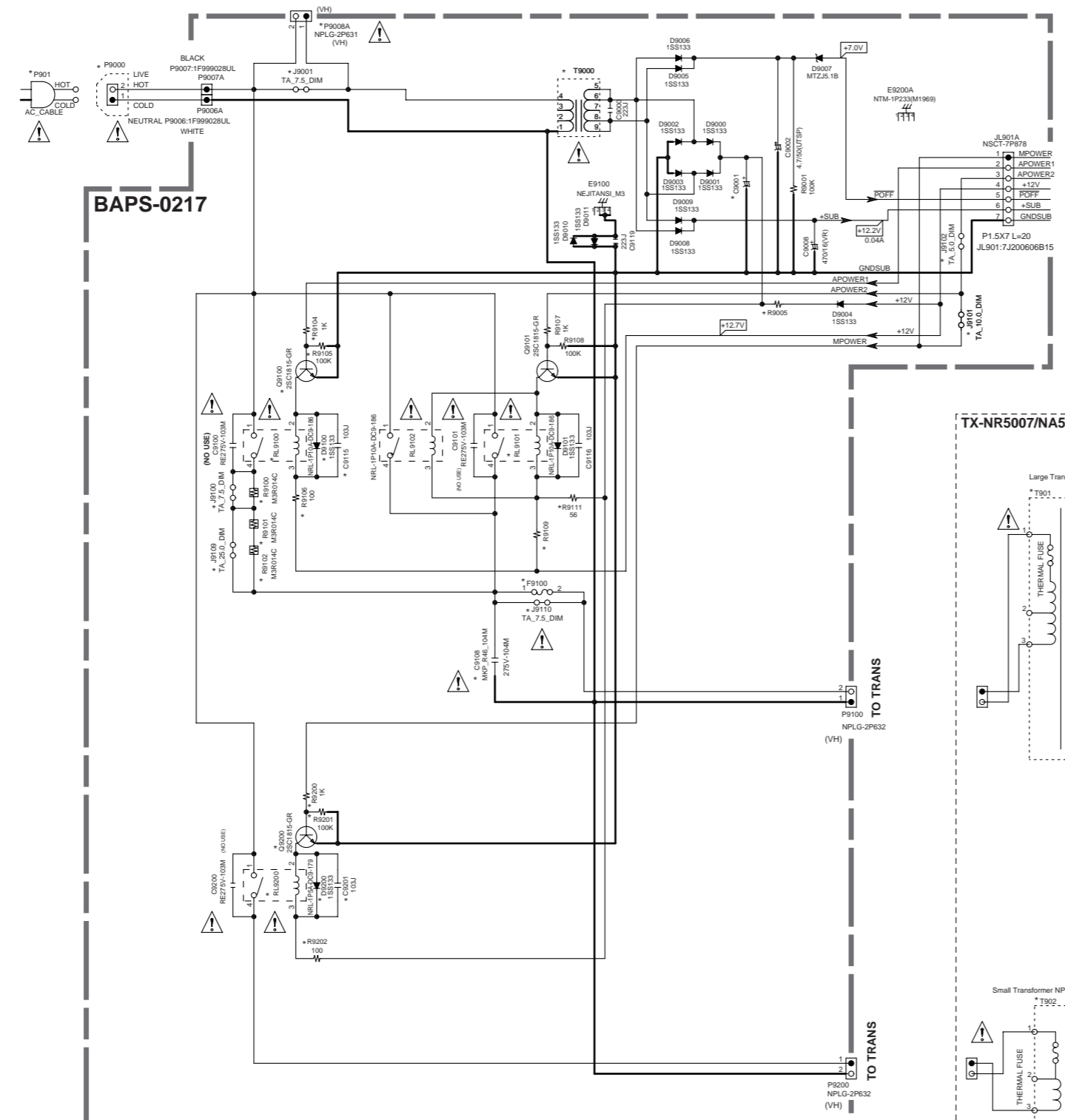
BASW-0304



U0054 STANDBY SWITCH PC BOARD
BADIS-0304

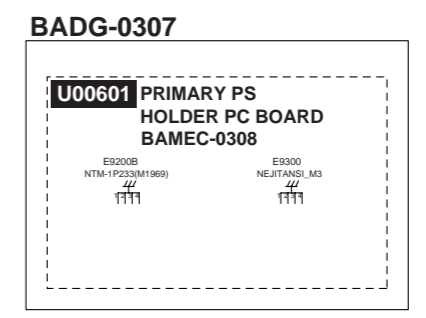
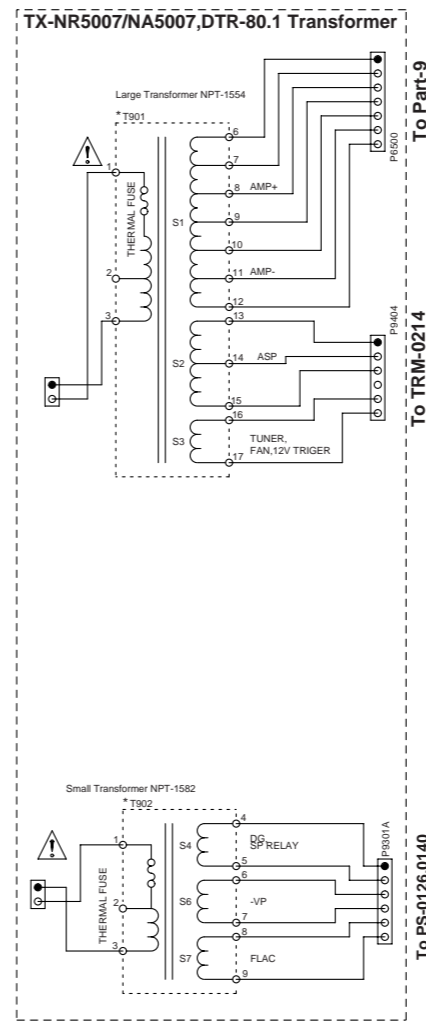
SCHEMATIC DIAGRAMS-10
PRIMARY POWER SUPPLY SECTION

1
2
3
4
5



	D type	M type
C9108	Except J type	Except J type
C9115	○	○
C9201	○	○
D9100	○	○
D9200	○	○
J9001	x	x
J9100	x	x
J9101	x	x
J9102	○	○
J9109	x	x
J9110	○	○
P9008A	Except DC, Integra	Except DC, Integra
P9200, Q300	○	○
Q9100	○	○
Q9200	○	○
R9005	○	○
R9100-9102	○	○
R9104	○	○
R9105	○	○
R9106	D=100	M=120
R9109	D=47	M=120
R9111	x	x
R9200	○	○
R9201	○	○
R9202	○	○
RL9100	○	○
RL9102	D, J	D, J
RL9200	○	○

T9000
D:NPT-1520JQ
M:NPT-1520GO
C9001
D:2200/25V
M:2200/16V
F9100
D:12A-UL-ST6 12A/125V
M:6.3A-SE-TL250V T6.3AL250V
J:15A-T-ST6N1 15A/125V



- THE COMPONENTS IDENTIFIED BY MARK ARE CRITICAL FOR SAFETY. REPLACE ONLY WITH PART NUMBER SPECIFIED.
- VOLTAGE (MEASURED WITH VOLTMETER) IS DC VOLTAGE (NO INPUT SIGNAL).
- ELECTROLYTIC CAPACITORS ARE IN μ F/WV
- ALL CAPACITORS ARE IN pF/50V UNLESS OTHERWISE NOTED.
EX) 030 → 3pF 330 → 33pF 331 → 330pF 333 → 0.033 μ F
- CIRCUIT IS SUBJECT TO CHANGE FOR IMPROVEMENT.

CAUTION
FOR CONTINUED PROTECTION AGAINST FIRE HAZARD, REPLACE ONLY WITH FUSE OF SAME TYPE AND RATING INDICATED.

ATTENTION
AFIN D'ASSURER UNE PROTECTION PERMANENTE CONTRE LES RISQUES D'INCENDIE, REMPLACER UNIQUEMENT PAR UN FUSIBLE DE MEME TYPE ET CALIBRATON COMME INDIQUE.

THIS SYMBOL LOCATED NEAR THE FUSE INDICATES THAT THE FUSE USED IS SLOW OPERATING TYPE FOR CONTINUED PROTECTION AGAINST FIRE FUSE HAZARD. REPLACE WITH SAME TYPE FUSE. FOR FUSE RATING REFER TO THE MAKING ADJACENT TO THE SYMBOL.

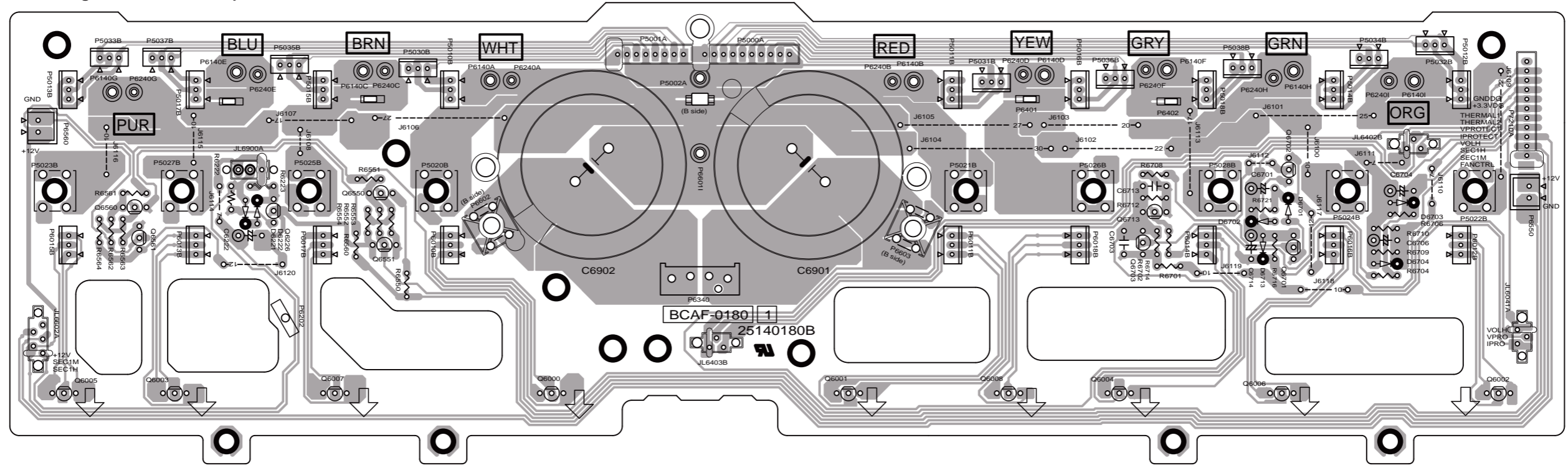
CE SYMBOLE INDIQUE QUE LE FUSIBLE UTILISE EST A LENT, E POUR UNE PROTECTION PERMANENTE. UTILISER QUE DES FUSIBLES DE MEME TYPE. CE DERNIER EST INDIQUE LA QU LE PRESENT SYMBOLE EST APPOSE.

U0041 POWER SUPPLY (PRIMARY) PC BOARD BAPS-0217

PRINTED CIRCUIT BOARD VIEW-1

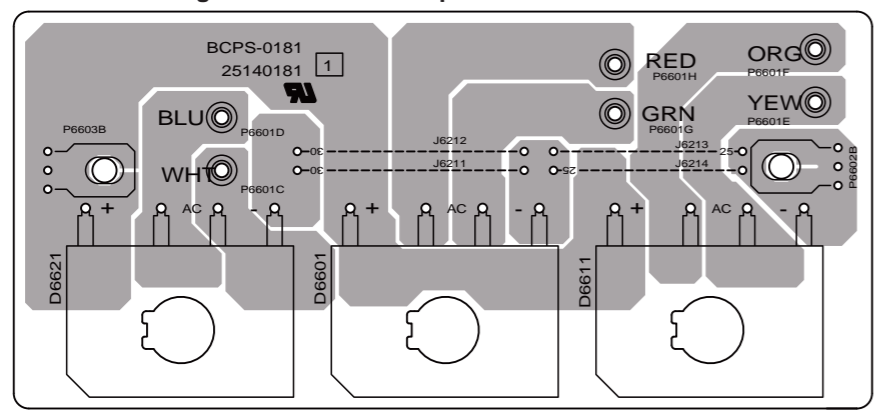
U0010 AMP-4 POWER SUPPLY PC BOARD (BAAF-0180-1C)

Soldering side view from component side



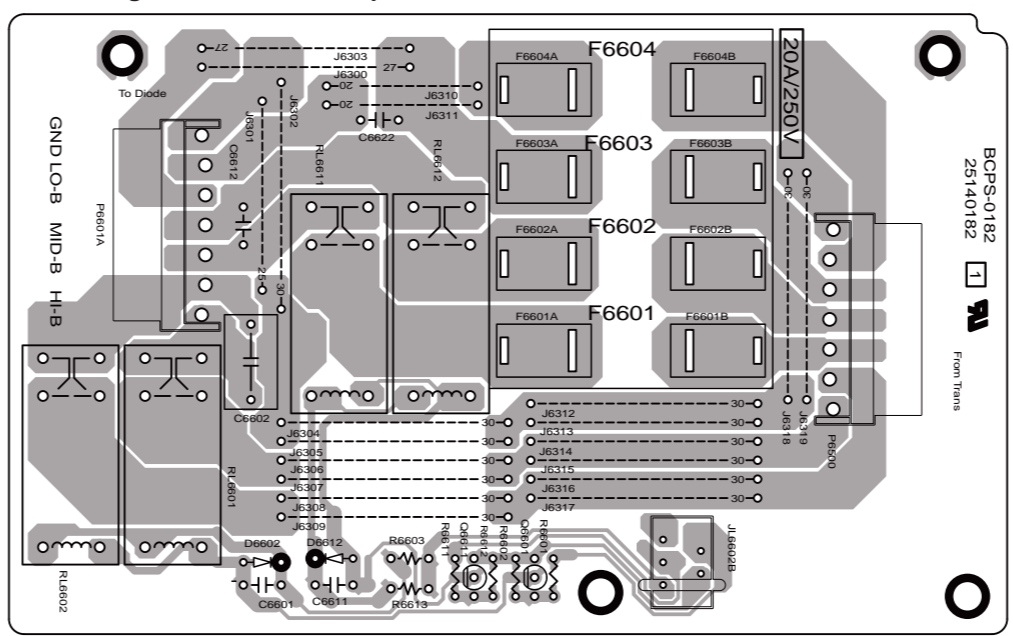
U0011 AMP DIODE PC BOARD (BAPS-0181-1C)

Soldering side view from component side



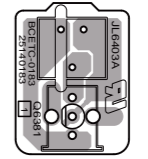
U0012 AMP RELAY PC BOARD (BAPS-0182-1C)

Soldering side view from component side



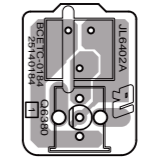
U0013 THERMAL SENSOR-1 PC BOARD (BAETC-0183-1C)

Soldering side view from component side



U0014 THERMAL SENSOR-2 PC BOARD (BAETC-0184-1C)

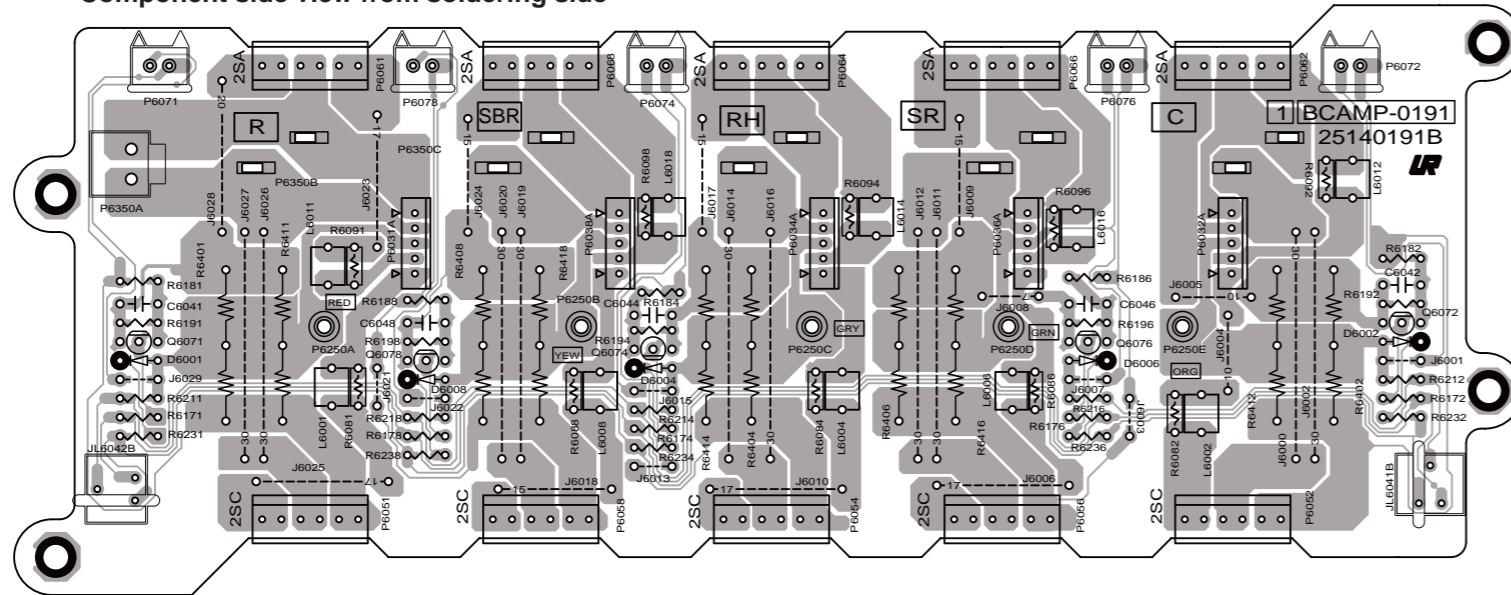
Soldering side view from component side



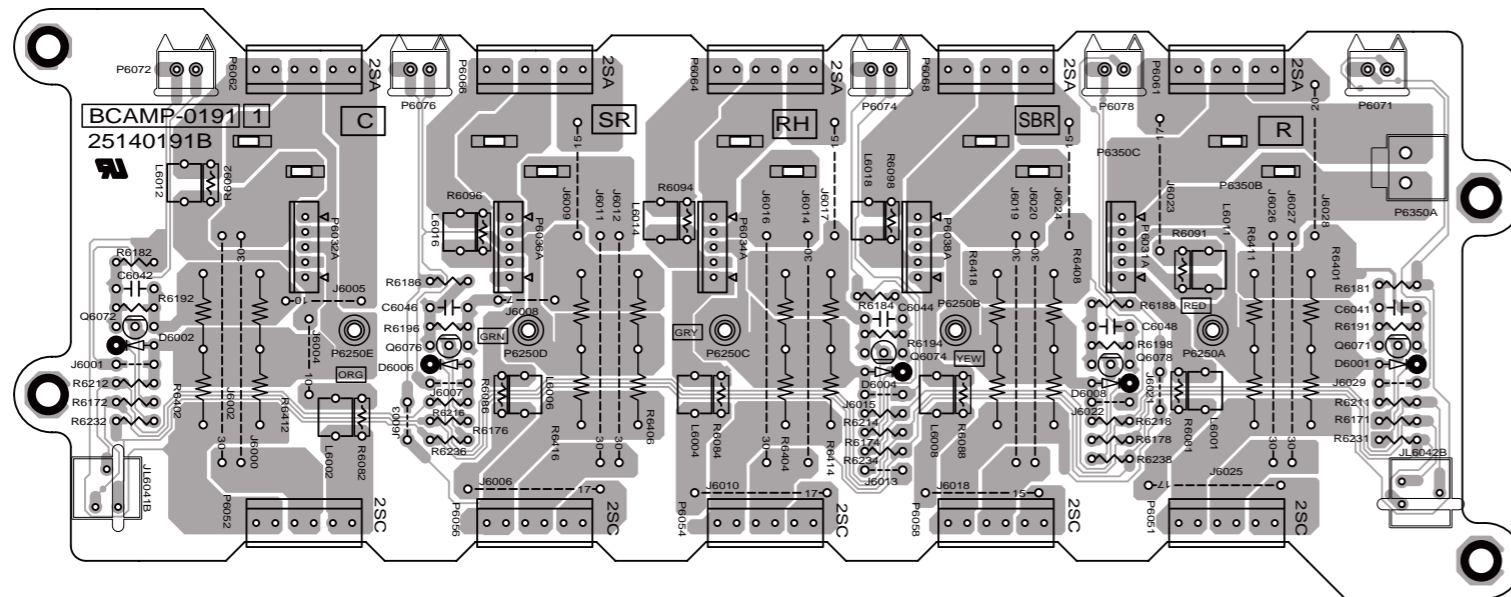
PRINTED CIRCUIT BOARD VIEW-2

U0020 AMP-2 (Final stage) PC BOARD (C,SR,RH,SBR,R) (BAAMP-0191-1A)

Component side view from soldering side

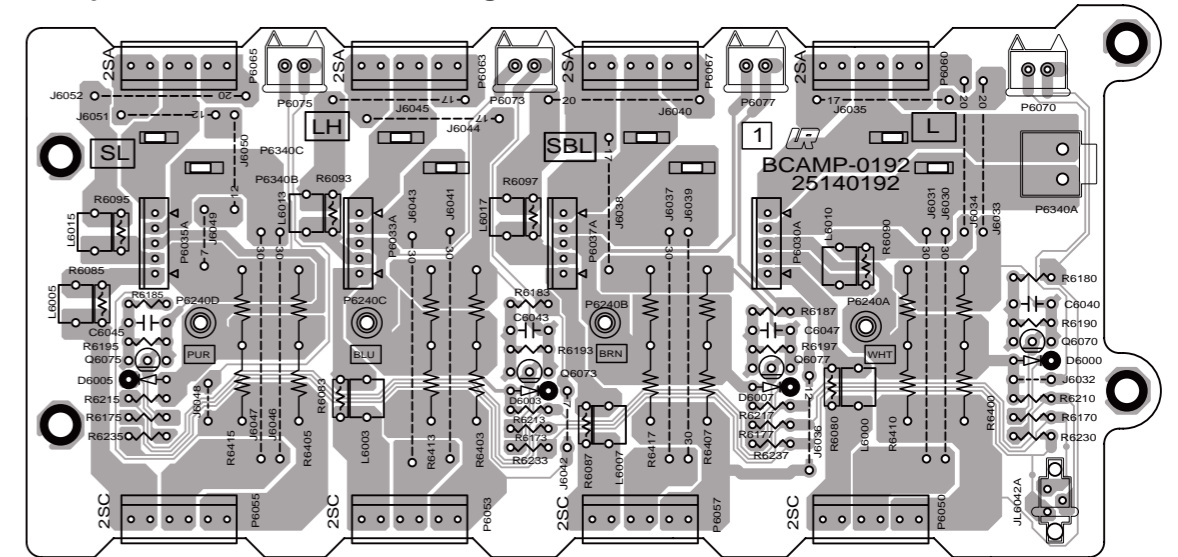


Soldering side view from component side

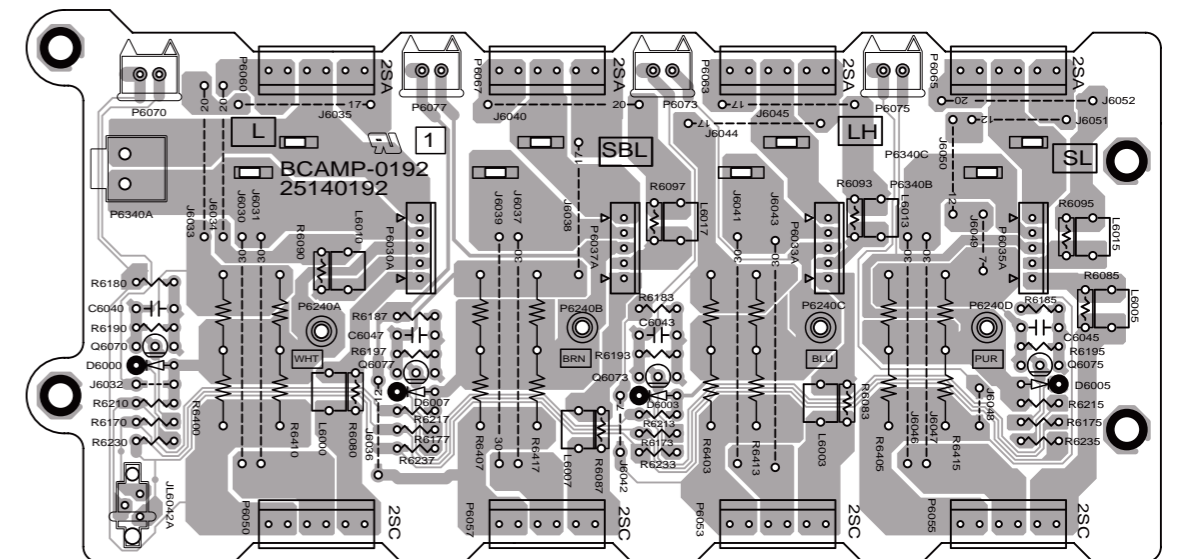


U0021 AMP-3 (Final stage) PC BOARD (L,SBL,LH,SL) (BAAMP-0192-1A)

Component side view from soldering side



Soldering side view from component side

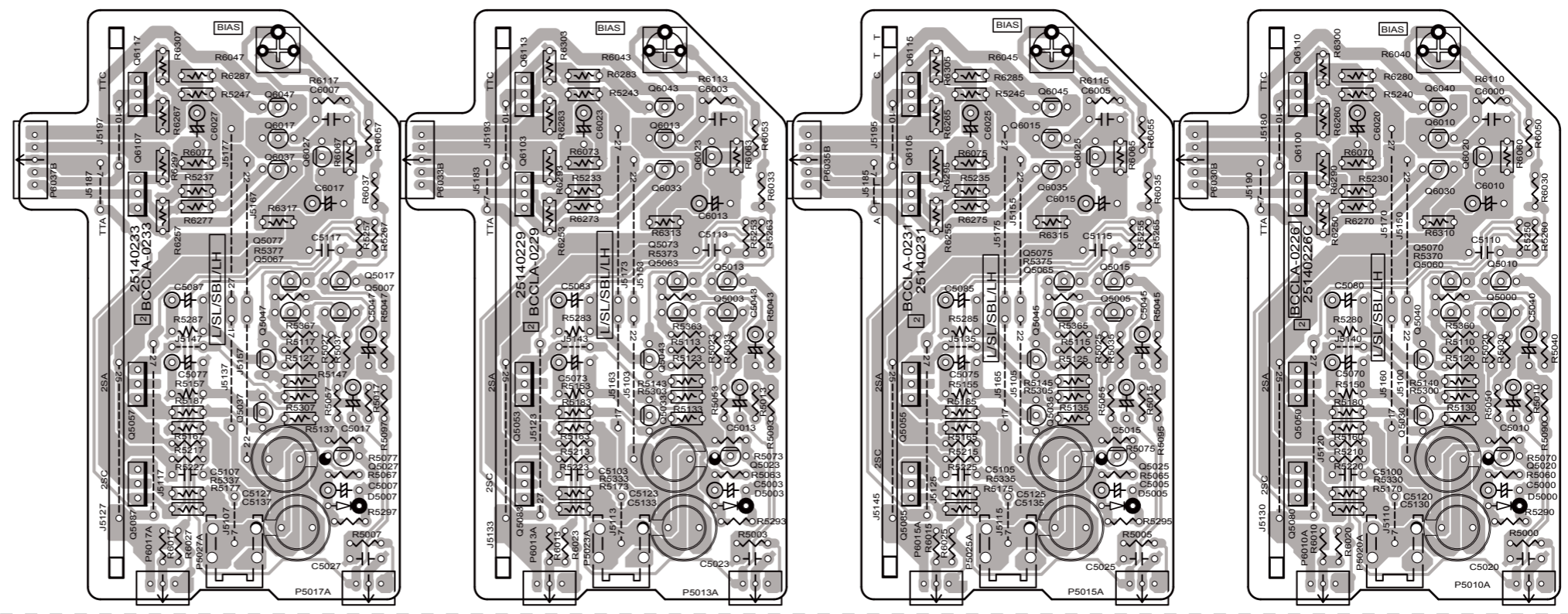


PRINTED CIRCUIT BOARD VIEW-3

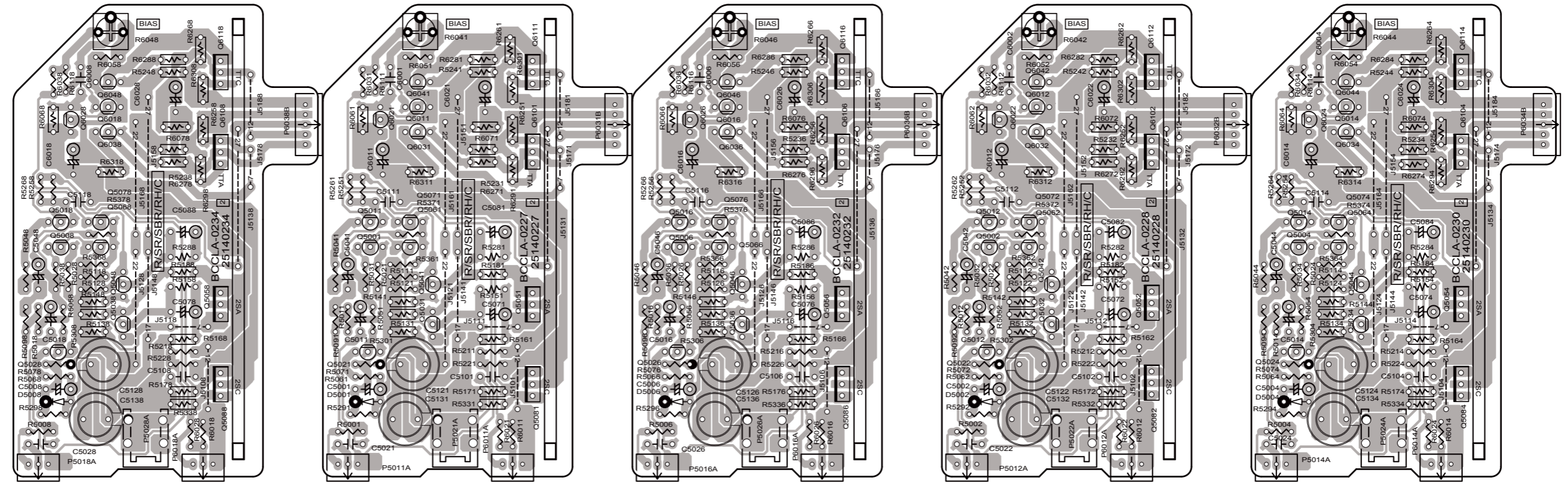
U0030~U0038 VOLTAGE AMP PC BOARD (BACLA-0226-1A~0234-1A)

Component side view from soldering side

U0030/33/35/37 Circuit and Printed wire is same, there is compatibility.



U0031/32/34/36/38 Circuit and Printed wire is same, there is compatibility.

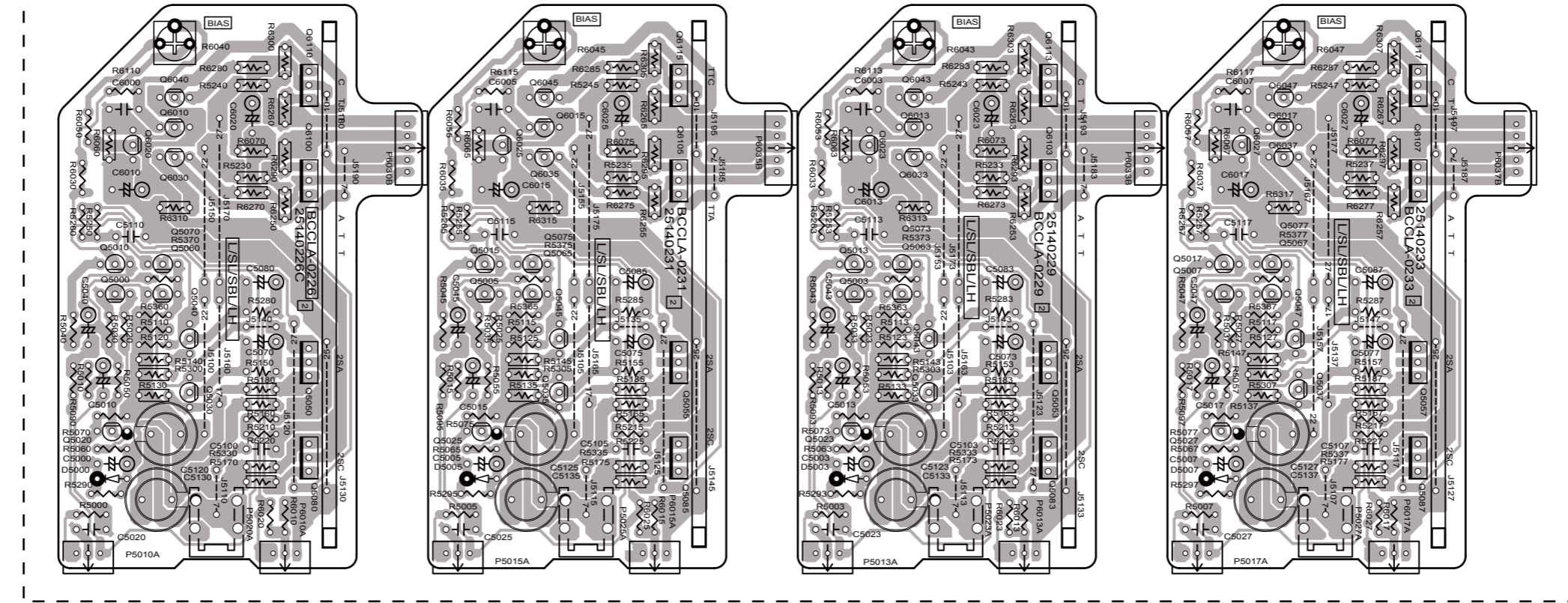


PRINTED CIRCUIT BOARD VIEW-4

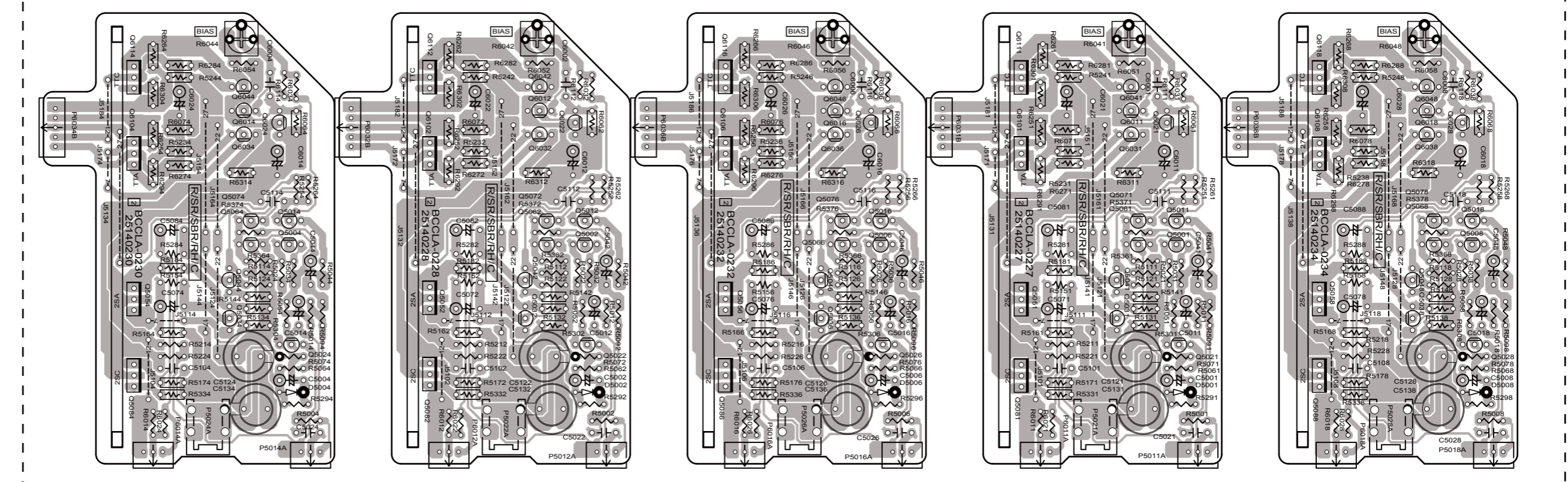
U0030~U0038 VOLTAGE AMP PC BOARD (BACLA-0226-1A~0234-1A)

Soldering side view from component side

U0030/33/35/37 Circuit and Printed wire is same, there is compatibility.



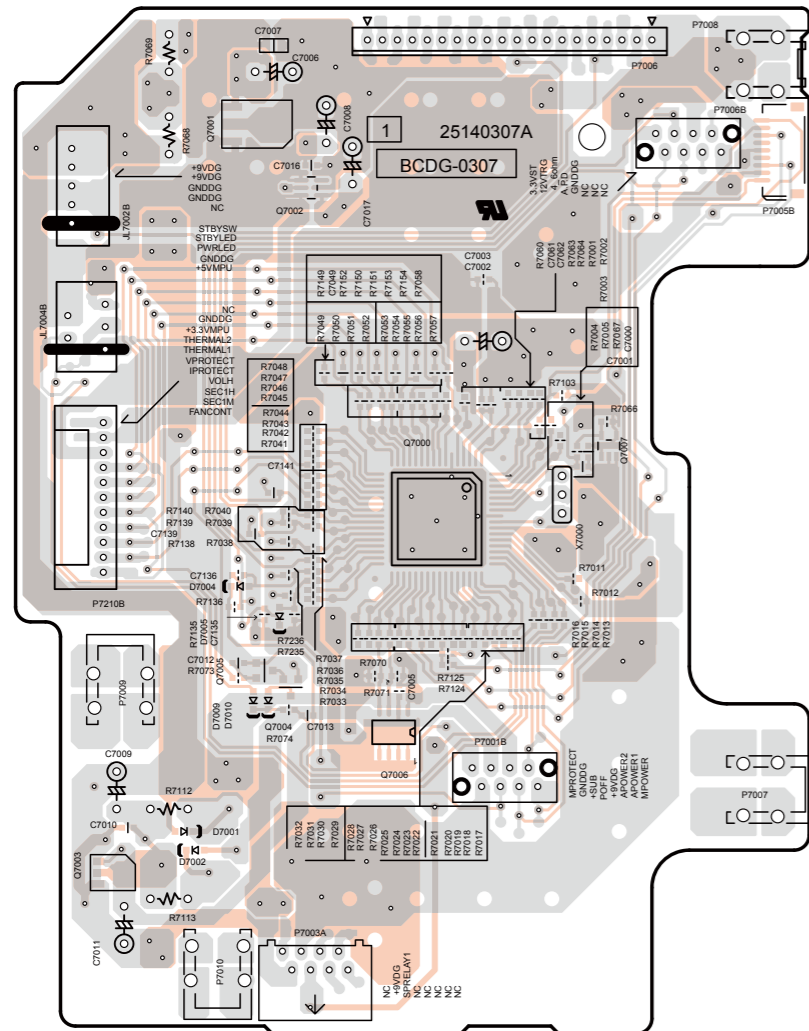
U0031/32/34/36/38 Circuit and Printed wire is same, there is compatibility.



PRINTED CIRCUIT BOARD VIEW-5

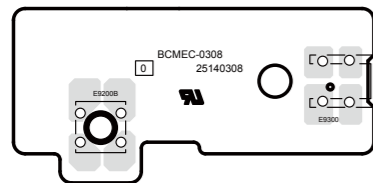
Component side view from soldering side

U0060 CPU PC BOARD BADG-0307-1A

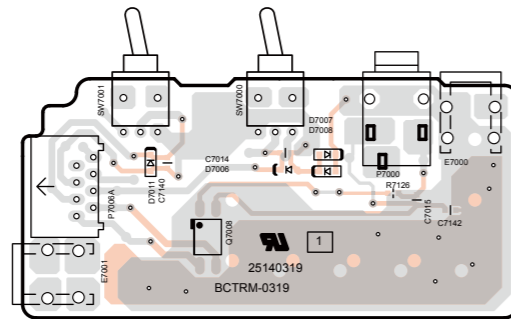


Component side view from soldering side

U0061 HOLDER PC BOARD BAMEC-0308-1A



U00611 AUTO POWER SAVE PC BOARD BAMEC-0308-1A

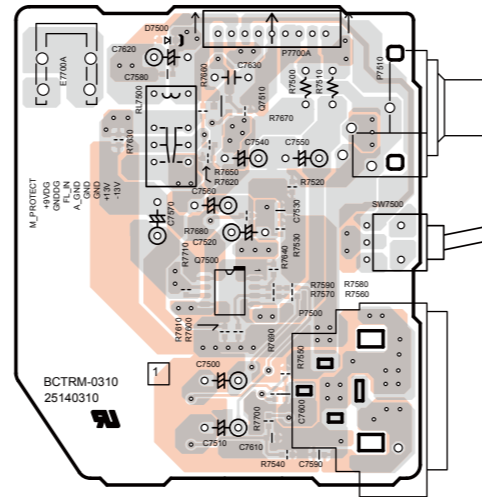


Component side pattern color

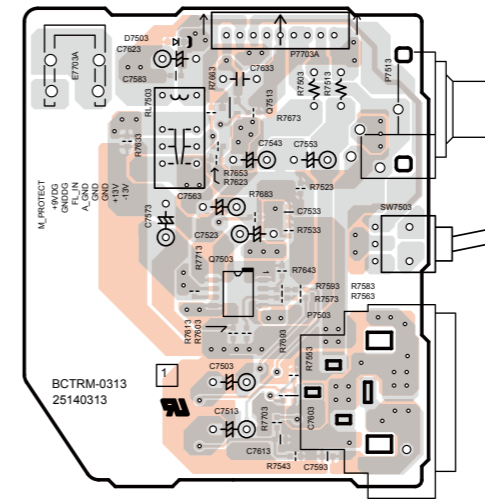
Soldering side pattern color

Circuit and Printed wire is same, there is compatibility.

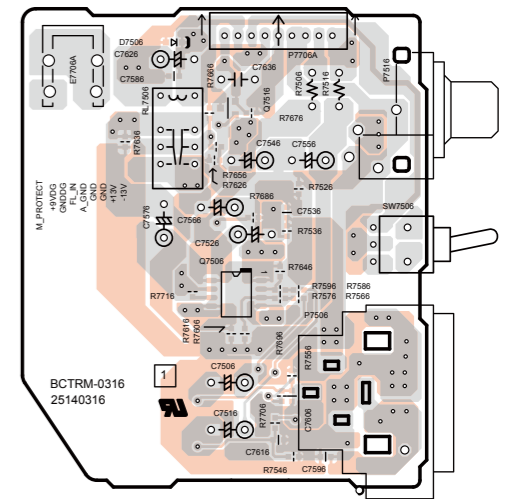
U0062 INPUT TERMINAL PC BOARD BATRM-0310-1A



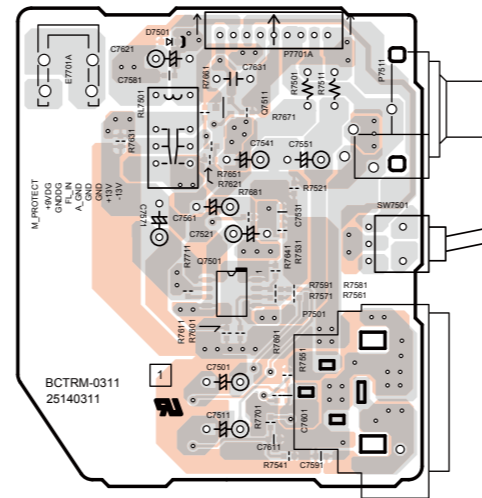
U0065 INPUT TERMINAL PC BOARD BATRM-0313-1A



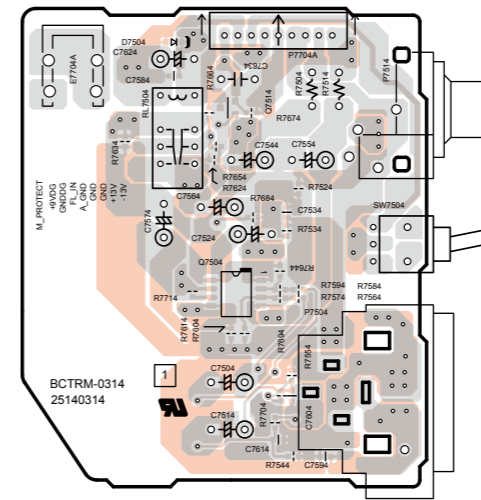
U0068 INPUT TERMINAL PC BOARD BATRM-0316-1A



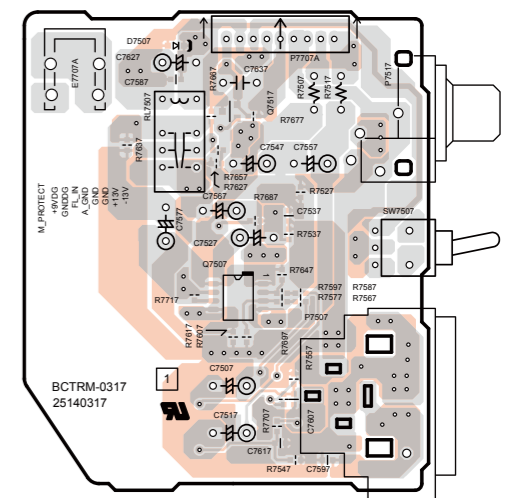
U0063 INPUT TERMINAL PC BOARD BATRM-0311-1A



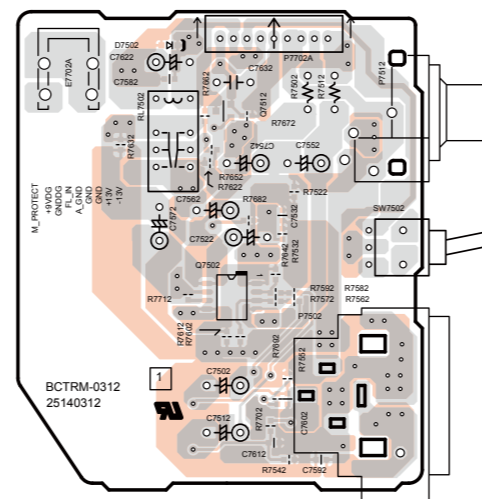
U0066 INPUT TERMINAL PC BOARD BATRM-0314-1A



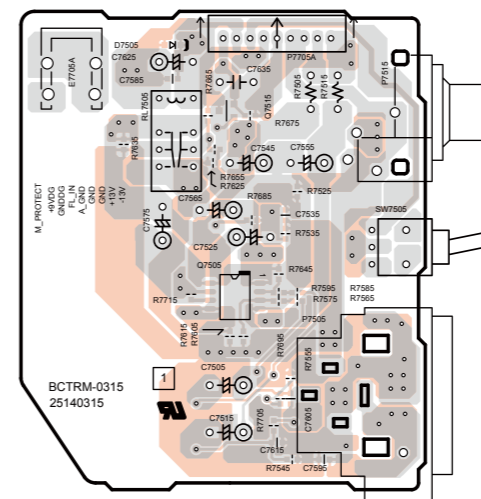
U0069 INPUT TERMINAL PC BOARD BATRM-0317-1A



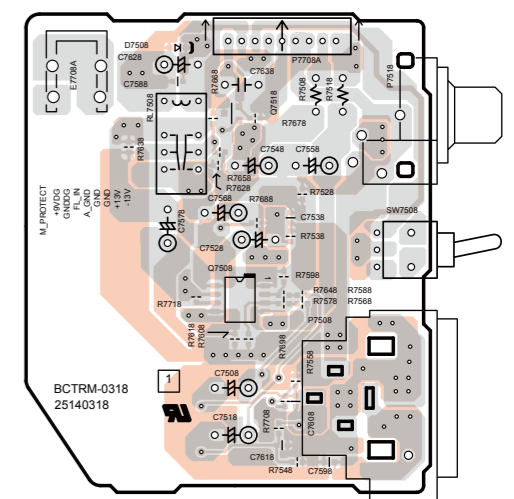
U0064 INPUT TERMINAL PC BOARD BATRM-0312-1A



U0067 INPUT TERMINAL PC BOARD BATRM-0315-1A



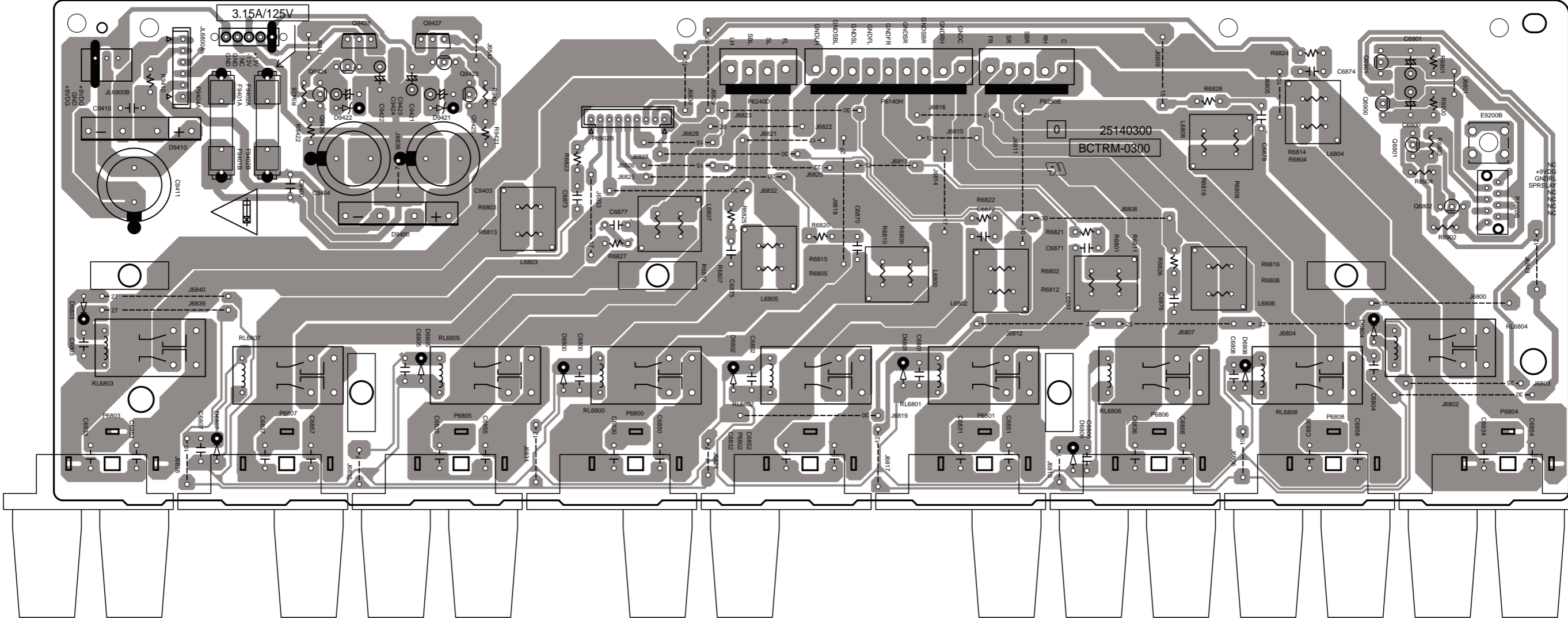
U00610 INPUT TERMINAL PC BOARD BATRM-0318-1A



PRINTED CIRCUIT BOARD VIEW-7

U0050 SPEAKER TERMINAL PC BOARD BATRM-0300-1A

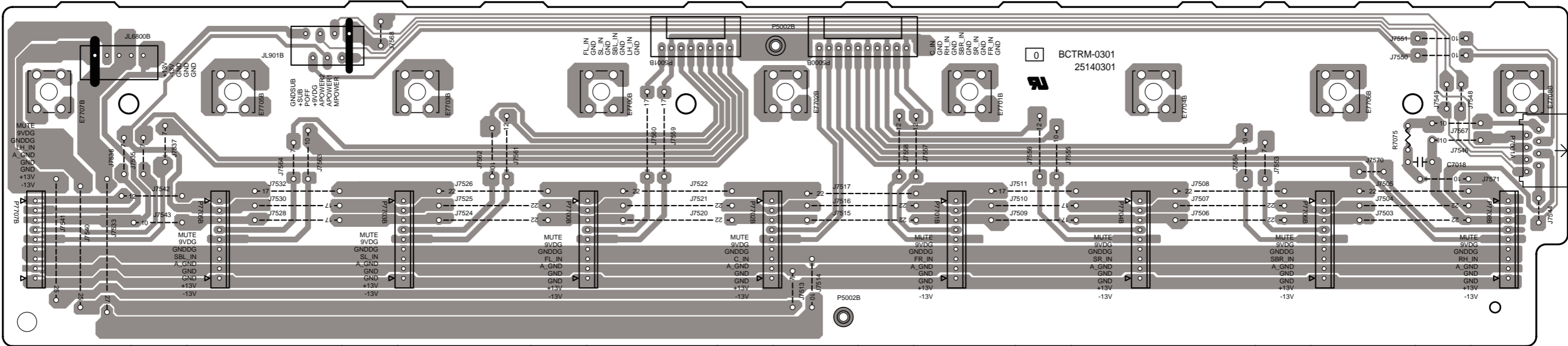
Component side view from soldering side



PRINTED CIRCUIT BOARD VIEW-8

U0051 CONNECTOR PC BOARD BATRM-0301-1A

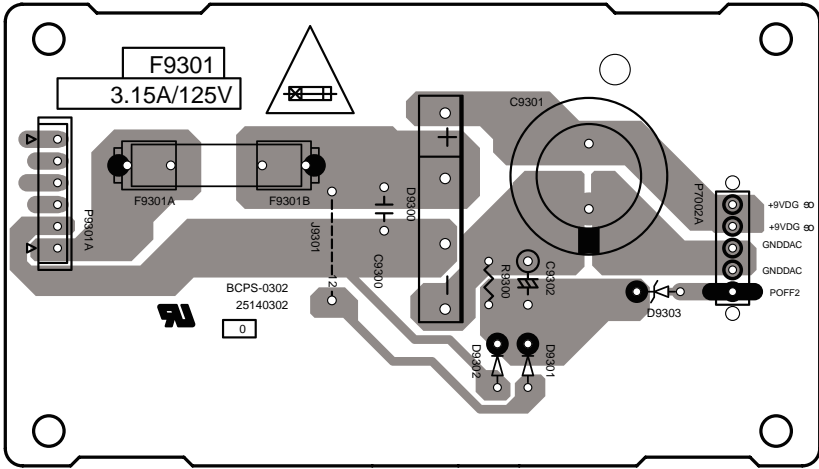
Component side view from soldering side



PRINTED CIRCUIT BOARD VIEW-9

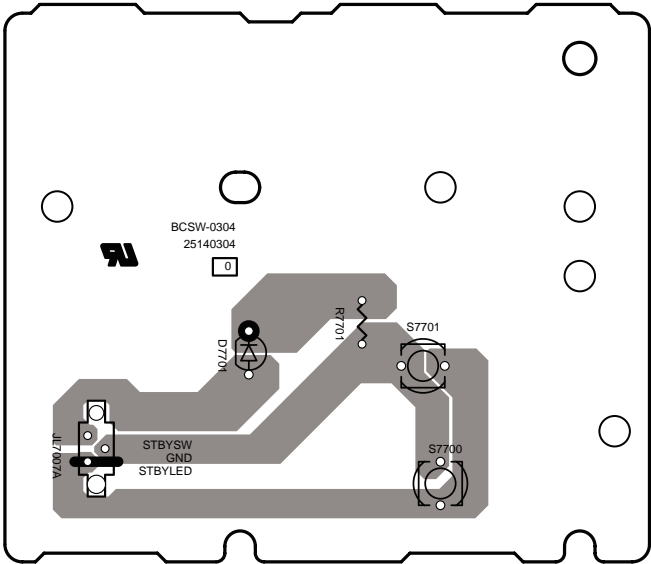
U0052 DG POWER SUPPLY PC BOARD (BAPS-0302-1A)

Component side view from soldering side



U0054 STANDBY SWITCH PC BOARD (BASW-0304-1A)

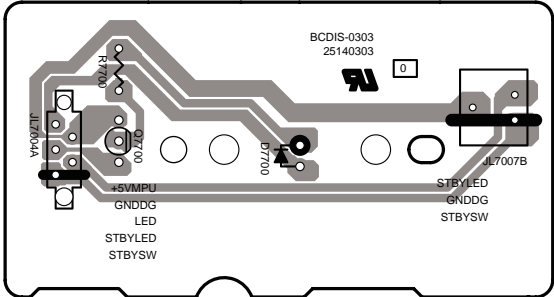
Component side view from soldering side



PRINTED CIRCUIT BOARD VIEW-10

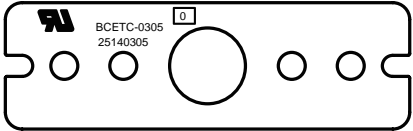
U0053 STANDBY LED PC BOARD (BADIS-0303-1A)

Component side view from soldering side



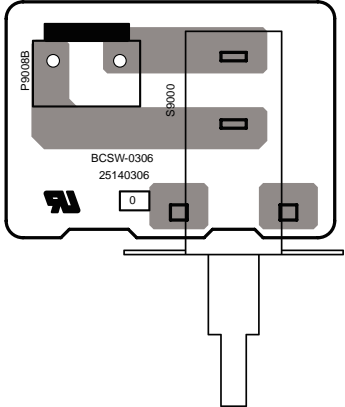
U0055 HOLDER PC BOARD (BAETC-0305-1A)

Component side view from soldering side

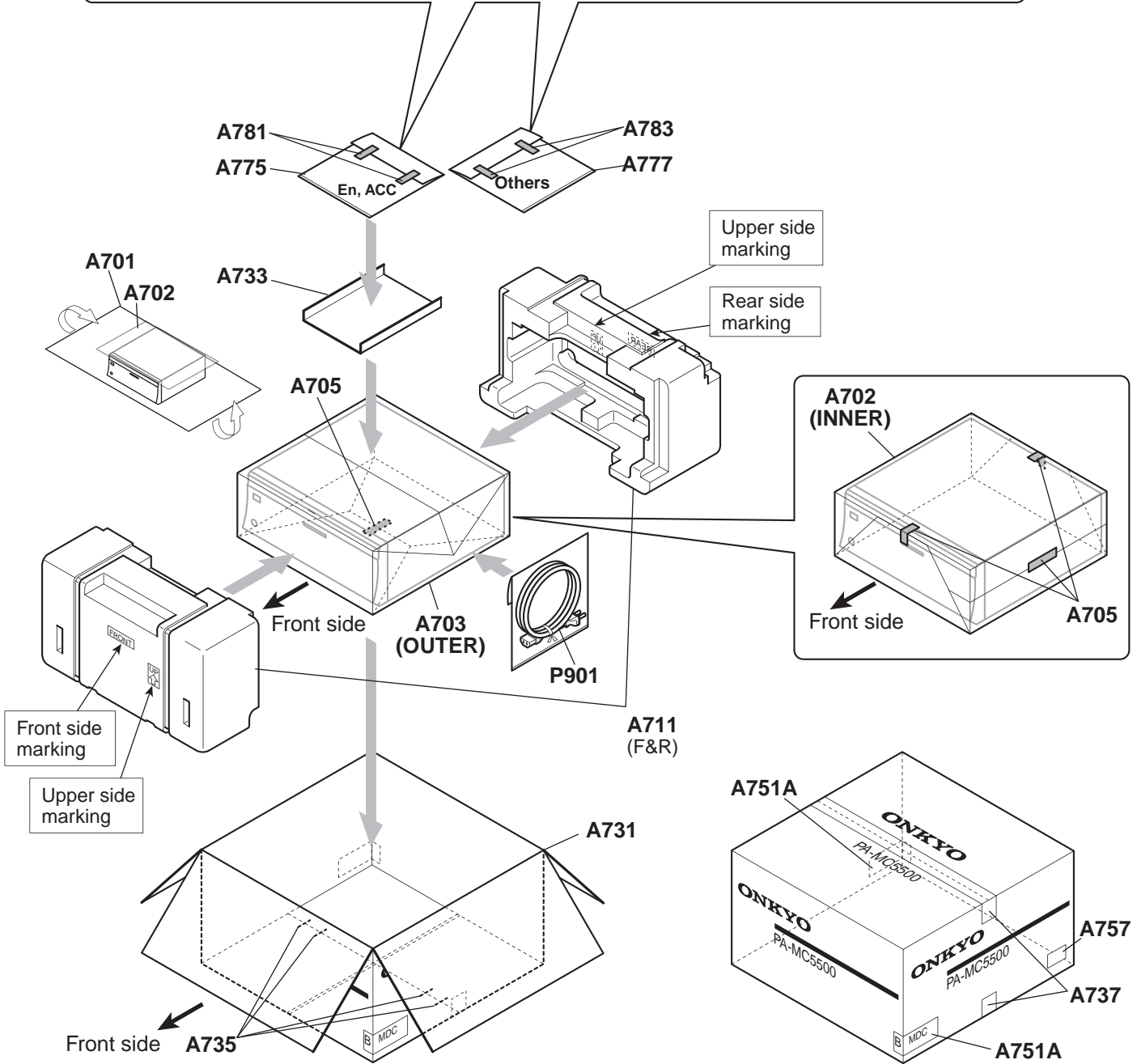
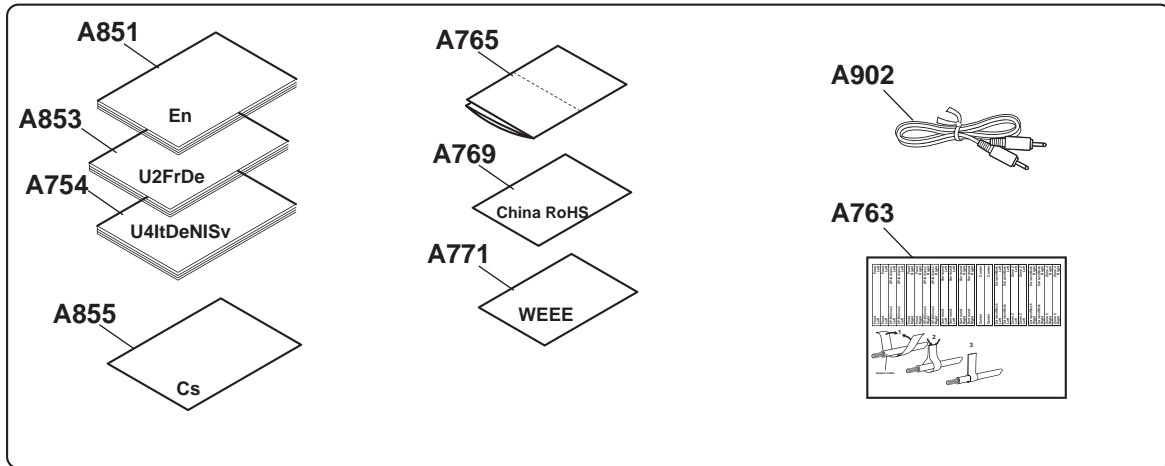


U0056 POWER SWITCH PC BOARD (BASW-0306-1A)

Component side view from soldering side



PACKING PROCEDURE



PARTS LIST

PA-MC5500

<MDC>: Canadian model
 <MMP>: European model
 <MMR>: China model

NOTE:
 THE COMPONENTS IDENTIFIED BY MARK ! ARE
 CRITICAL FOR RISK OF FIRE AND ELECTRIC SHOCK.
 REPLACE ONLY WITH PART NUMBER SPECIFIED.

EXPLODED VIEW PARTS LIST

REF. NO.	PART NAME	DESCRIPTION	Q'TY	PART NO. (SN)	REMARKS
[SEMI CONDUCTOR]					
Q6050	TR	TTC0002(Q)TO3PL	1	2204150	
Q6050A	ISO SHEET	ISO SHEET(NR5007_4CH)	1	223052	
Q6051	TR	TTC0002(Q)TO3PL	1	2204150	
Q6051A	ISO SHEET	ISO SHEET(NR5007_5CH)	1	223051	
Q6052	TR	TTC0002(Q)TO3PL	1	2204150	
Q6053	TR	TTC0002(Q)TO3PL	1	2204150	
Q6054	TR	TTC0002(Q)TO3PL	1	2204150	
Q6055	TR	TTC0002(Q)TO3PL	1	2204150	
Q6056	TR	TTC0002(Q)TO3PL	1	2204150	
Q6057	TR	TTC0002(Q)TO3PL	1	2204150	
Q6058	TR	TTC0002(Q)TO3PL	1	2204150	
Q6060	TR	TTA0002(Q)TO3PL	1	2204140	
Q6060A	ISO SHEET	ISO SHEET(NR5007_4CH)	1	223052	
Q6061	TR	TTA0002(Q)TO3PL	1	2204140	
Q6061A	ISO SHEET	ISO SHEET(NR5007_5CH)	1	223051	
Q6062	TR	TTA0002(Q)TO3PL	1	2204140	
Q6063	TR	TTA0002(Q)TO3PL	1	2204140	
Q6064	TR	TTA0002(Q)TO3PL	1	2204140	
Q6065	TR	TTA0002(Q)TO3PL	1	2204140	
Q6066	TR	TTA0002(Q)TO3PL	1	2204140	
Q6067	TR	TTA0002(Q)TO3PL	1	2204140	
Q6068	TR	TTA0002(Q)TO3PL	1	2204140	
[TRANS COIL]					
T901	P TRANS	NPT-1554D	1	2301898	! <MDC>
T901	P TRANS	NPT-1554M	1	2301899	! <MMP, MMR>
T902	P TRANS	NPT-1582D	1	2301955	! <MDC>
T902	P TRANS	NPT-1582M	1	2301956	! <MMP, MMR>

[SW TRM]					
F6601	FUSE	20A-UL-250V	1	252304GR	!
F6602	FUSE	20A-UL-250V	1	252304GR	!
F6603	FUSE	20A-UL-250V	1	252304GR	!
F6604	FUSE	20A-UL-250V	1	252304GR	!
F9100	FUSE	6.3A-SE-EAK FUSE	1	252079GR	! <MMP, MMR>
F9100	FUSE	12A-UL-ST6	1	252340GR	! <MDC>
F9100or	FUSE	6.3A-SE-TL250V	(1)	252279GR	! <MMP, MMR>
F9301	FUSE	3.15A-UL/T-233	1	252323GR	!
F9301or	FUSE	3.15A-T/UL-ST2	(1)	252256GR	!
F9401	FUSE	3.15A-UL/T-233	1	252323GR	!
F9401or	FUSE	3.15A-T/UL-ST2	(1)	252256GR	!
F9402	FUSE	3.15A-UL/T-233	1	252323GR	!
F9402or	FUSE	3.15A-T/UL-ST2	(1)	252256GR	!
P061	FAN	D09A-12PG13	1	24502328	
P062	FAN	D09A-12PG13	1	24502328	
P9000	AC INLET	R301X2PSn	1	25053358	!
P9008	SOCKET AS	NSAS-6P1675	1	2009991073UL	
[CHASSIS SCREW]					
A001	HEAT SINK	(5)	1	27160634A	
A003	HEAT SINK	(4)	1	27160635A	
A005	SPACER	(PC)	8	27270485	
A007	SCREW	3P+6FN(3BC)	8	82143006GR	
A009	SCREW	3SMS8W.SW+14B(CU)	18	801634	
A011	RETAINER	(HS-2)	2	27141530A	
A013	SCREW	3TTB+8B(3CM)SR	4	801637	
A017	RETAINER	(HS-C)B	1	27142161A	
A019	SCREW	3TTB+8B(3CM)SR	8	801637	
A021	RETAINER	(HS-L)B	1	27142162	
A023	SCREW	3TTB+8B(3CM)SR	4	801637	
A025	HOLDER	(ｸﾞﾗﾝﾌﾟ) UA-0	1	27190432	
A027	HOLDER	WS-4NS	1	27191207	
A029	RETAINER	(HS-R)B	1	27142163	
A031	SCREW	3TTB+8B(3CM)SR	4	801637	
A033	HOLDER	(ｸﾞﾗﾝﾌﾟ) UA-0	1	27190432	
A037	SCREW	3TTB+8B(3CM)SR	4	801637	
A039	SCREW	3TTB+8B(3CM)SR	9	801637	
A041	HEAT SINK(S)	240	1	27160608	
A043	SCREW	3TTB+8B(3CM)SR	3	801637	

A045	SCREW	3TTB+8B(3CM)SR	2	801637
A049	IB CUSHION	W15*3t TAPE	1	28141585
A051	WIRE TIE	BSK-1	12	260208
A053	CHASSIS	(SUB)B	1	27100543A
A055	RETAINER	(FBR)	1	27142150A
A057	SCREW	3TTB+8B(3CM)SR	3	801637
A059	BUSHING	CE-016 100MM	1	28170039
A061	HOLDER	SPM-4	4	27191154
A063	BUSHING	L125	1	28170004
A065	BUSHING	---	1	28170070
A069	BRACKET	(FAN-L)	1	27131022A
A071	HOLDER	(FAN)	4	27191307
A073	BRACKET	(SUB-L)B	1	27131068
A075	SCREW	3TTB+8B(3CM)SR	3	801637
A077	HOLDER	WS-4NS	2	27191207
A079	BRACKET	(FAN-R)	1	27131023A
A081	HOLDER	(FAN)	4	27191307
A083	BRACKET	(SUB-R)B	1	27131069
A085	SCREW	3TTB+8B(3CM)SR	3	801637
A087	HOLDER	WS-4NS	1	27191207
A089	TAPE	TAPE(CLOTH-16U)	1	29110083
A101	BRACKET	(PT)B	1	27131070
A103	BUSHING	L30	2	28170006
A105	BUSHING	BUSHING	2	28170040
A109	IB CUSHION	W15*3t TAPE	1	28141585
A111	SCREW	4TTC+8C(3BC)	8	830440089GR
A113	SCREW	4TTC+8C(3BC)	4	830440089GR
A115	SCREW	3TTB+8B(3CM)SR	2	801637
A119	SCREW	4TTC+8C(3BC)	2	830440089GR
A121	SPACER	---	2	27270489
A123	IB CUSHION	W15*3t TAPE	1	28141585
A125	SCREW	3TTB+8B(3CM)SR	8	801637
A126	SCREW	3TTB+8B(3CM)SR	8	801637
A127	CUSHION	t10*10*100	1	28141746
A147	CUSHION	(BUTYL)	1	28141748
A149	IB CUSHION	W15*3t TAPE	1	28141585
A151	CHASSIS	---	1	27100545B
A153	LEG	---	4	27175450
A155	CUSHION	(LEG)	4	28141735

A157	IB CUSHION	W15*3t TAPE	1	28141585	
A159	CUSHION	---	8	28141637	
A161	SCREW	3TTB+8B(3CM)SR	4	801637	
A163	HOLDER	(SPD-6)	4	27191308	
A165	HOLDER	KGPS-10RF	3	27190813	
A169	HOLDER	KGLS-12RT	1	27190266	
A170	HOLDER	KGLS-22RT	1	27190772	
A171	HOLDER	KGLS-20RT V0	3	27191338	
A173	HOLDER	HOLDER KGLS-18S	3	27190470	
A175	HOLDER	KGPS-18S	2	27191339	
A181	SCREW	3TTB+8B(3CM)SR	1	801637	
A183	SCREW	3TTB+8B(3CM)SR	1	801637	
A189	SCREW	3TTB+8B(3CM)SR	1	801637	
A193	SCREW	3TTB+8B(3BC)	2	838430088GR	
A195	SCREW	3TTB+8B(3BC)	5	838430088GR	
A199	SCREW	4TTC+8C(3BC)	1	830440089GR	
A201	SPACER	---	1	27270489	
A203	SCREW	3TTB+8B(3BC)	5	838430088GR	
A205	SCREW	3TTB+8B(3CM)SR	8	801637	
A207	SCREW	3TTB+8B(3CM)SR	8	801637	
A213	CUSHION	(BUTYL)	1	28141748	
A247	LABEL	(PT)	1	29363408-1	
A251	WIRE TIE	BSK-1	10	260208	
A255	REAR PANEL	PA-MC5500MDC	1	27124081A	N <MDC>
A255	REAR PANEL	PA-MC5500MMP	1	27124082A	N <MMP>
A255	REAR PANEL	PA-MC5500MMR	1	27124083A	N <MMR>
A257	TAPE	TAPE(CLOTH-8U)	1	29110082	
A261	SCREW	3TTB+8B(3BC)	41	838430088GR	
A270	SCREW	3TTF+10B(3BC)	2	835430108GR	
A279	ISO PLT	(HS-R)	2	28175336A	
A281	RIVET	P-RIVET NRP-345	1	880009	
A283	P RIVET	P-3055B-8L	2	880048	
A285	ISO PLT	(HS-U)	1	28175337A	
A287	SCREW	3TTB+8B(3CM)SR	2	801637	
A288	SPACER	T1*Φ8*Φ3.2PTFE	2	27270527	
A291	LABEL	(SP)	1	29391139	
A292	RETAINER	(CLA-L)	1	27142196	
A293	RETAINER	(CLA-R)	1	27142197	
A294	RETAINER	(CLA-U)	2	27142198	

A295	SCREW	3TTB+8B(3BC)	11	838430088GR	
A298	SPACER	(ø6 - 3 - 1.0)	1	27270492	
A303	BUSHING	BUSHING	2	28170040	
A304	BUSHING	CE-016 L=40	1	28170102	
A305	BUSHING	CE-016 L=70	1	28170103	
P6800	P RIVET	JB-407A-C	18	880052	<MMP, MMR>
[CABINET]					
A301	F BRACKET	(PAMC5500)	1	27111572A	N
A311	KNOB	(STBY)AS5007	1	28326703A	
A321	SCREW	3TTB+8B(3CM)SR	8	801637	
A325	SCREW	3TTB+8B(3BC)	3	838430088GR	
A327	SCREW	3TTB+8B(3BC)	3	838430088GR	
A331	F PANEL	(PAMC5500(B))	1	27213353	N
A333	BADGE	BADGE	1	28135244	
A335	FACET	(AMP)	1	28200046A	N
A337	FACET	---	1	28198905	
A351	KNOB	(POWER)AS	1	28326814	
A353	SCREW	3P+6FN(3BC)	2	82143006GR	
A355	SCREW	3TTB+8B(3CM)SR	2	801637	
A357	TAPE	Scotch#810W18	1	29110208	
A359	CUSHION	(BUTYL)	1	28141748	
A551	COVER	(B) (Bent)	1	28210040A	
A551	COVER	(B) (Not Bent)	1	28210040AZ	
A553	LABEL	(COVER)	1	29364123	
A555	SCREW	4TTB+8C(3BC)	6	838440089GR	
A557	SCREW	3TTB+8B(3BC)	3	838430088GR	
A559	TAPE	TAPE(CLOTH-8U)	1	29110082	
A561	LABEL	HOOKUP-ONKYO	1	29363194	<MDC>
[TUNER UNIT]					
U001	U0010 ~ U0014		1	1B234580-1C	N
U0010	AMP-4 POWER SUPPLY PCB AS	BAAF-0180-1C	1	1B2345180-1C	N
U0011	AMP DIODE PCB AS	BAPS-0181-1C	1	1B2345181-1C	N
U0012	AMP RELAY PCB AS	BAPS-0182-1C	1	1B2345182-1C	N
U0013	THERMAL SENSOR-1 PCB AS	BAETC-0183-1C	1	1B2345183-1C	N
U0014	THERMAL SENSOR-2 PCB AS	BAETC-0184-1C	1	1B2345184-1C	N
U002	U0020 + U0021		1	1B234591-1A	N
U0020	AMP-2 (Final stage) PCB AS	BAAMP-0191-1A	1	1B2345191-1A	N
U0021	AMP-3 (Final stage) PCB AS	BAAMP-0192-1A	1	1B2345192-1A	N
U003	U0030 ~ U0038		1	1B234526-1A	N

U0030/33/35/37 are same PCB AS.

U0030	VOLTAGE AMP PCB AS	BACLA-0226-1A	} Same PCB AS	1	1B2345226-1A	
U0033	VOLTAGE AMP PCB AS	BACLA-0229-1A		1	1B2345229-1A	N
U0035	VOLTAGE AMP PCB AS	BACLA-0231-1A		1	1B2345231-1A	N
U0037	VOLTAGE AMP PCB AS	BACLA-0233-1A		1	1B2345233-1A	N

U0031/32/34/36/38 are same PCB AS.

U0031	VOLTAGE AMP PCB AS	BACLA-0227-1A	} Same PCB AS	1	1B2345227-1A	N
U0032	VOLTAGE AMP PCB AS	BACLA-0228-1A		1	1B2345228-1A	N
U0034	VOLTAGE AMP PCB AS	BACLA-0230-1A		1	1B2345230-1A	N
U0036	VOLTAGE AMP PCB AS	BACLA-0232-1A		1	1B2345232-1A	N
U0038	VOLTAGE AMP PCB AS	BACLA-0234-1A		1	1B2345234-1A	N

U004	U0041			1	1B234514-2A	
U0041	PRIMARY POWER SUPPLY PCB AS	BAPS-0217-2A		1	1B2345217-2A	

U005	U0050 ~ U0056			1	1B234500-1A	N
U0050	SPEAKER TERMINAL PCB AS	BATRM-0300-1A		1	1B2345300-1A	N
U0051	CONNECTOR PCB AS	BATRM-0301-1A		1	1B2345301-1A	N
U0052	DG POWER SUPPLY PCB AS	BAPS-0302-1A		1	1B2345302-1A	N
U0053	STANDBY LED PCB AS	BADIS-0303-1A		1	1B2345303-1A	N
U0054	STANDBY SW PCB AS	BASW-0304-1A		1	1B2345304-1A	N
U0055	HOLDER PCB AS	BAETC-0305-1A		1	1B2345305-1A	N
U0056	POWER SWITCH PCB AS	BASW-0306-1A		1	1B2345306-1A	N

U006	U00600 ~ U00611			1	1B234507-1A	N
U00600	CPU PCB AS	BADG-0307-1A		1	1B2345307-1A	N
U0061	HOLDER PCB AS	BAMEC-0308-1A		1	1B2345308-1A	N

U0062~U00610 are same PCB AS.

U0062	INPUT TERMINAL PCB AS	BATRM-0310-1A	} Same PCB AS	1	1B2345310-1A	N
U0063	INPUT TERMINAL PCB AS	BATRM-0311-1A		1	1B2345311-1A	N
U0064	INPUT TERMINAL PCB AS	BATRM-0312-1A		1	1B2345312-1A	N
U0065	INPUT TERMINAL PCB AS	BATRM-0313-1A		1	1B2345313-1A	N
U0066	INPUT TERMINAL PCB AS	BATRM-0314-1A		1	1B2345314-1A	N
U0067	INPUT TERMINAL PCB AS	BATRM-0315-1A		1	1B2345315-1A	N
U0068	INPUT TERMINAL PCB AS	BATRM-0316-1A		1	1B2345316-1A	N
U0069	INPUT TERMINAL PCB AS	BATRM-0317-1A		1	1B2345317-1A	N
U00610	INPUT TERMINAL PCB AS	BATRM-0318-1A		1	1B2345318-1A	N
U00611	AUTO POWER SAVE SW PCB AS	BATRM-0319-1A		1	1B2345319-1A	N

PACKING PARTS LIST

PA-MC5500

[PACKING]					
A701	SHEET	T0.515*1300*900	1	29096066	
A702	SHEET	T0.5x600x500	1	29096097	
A703	POLY BAG	w500xd650	1	29100249	
A705	TAPE	(SEROHAN)NITTO NO.29	1	29110149	
A711	PAD	(AS-PAMC)	1	29092494A	N
A731	CARTON	PAMC5500	1	29055089A	N
A733	SHEET	(ACC)	1	29096104	
A735	STAPLE	FUKAN-BARI(1000KO)	4	282321	
A737	PP TAPE	W50 SBT-70	1	29110200	
A751A	UPC LABEL	PAMC5500DC	{ 1}	29391099	N <MDC>
A751A	EAN LABEL	PAMC5500MP	{ 1}	29391100	N <MMP>
A751A	EAN LABEL	PAMC5500MR	{ 1}	29391101	N <MMR>
A757	LABEL	(CARTON)	1	29390944	<MMR>
A759	LABEL	(CHINA-5500)	1	29391098	N <MMR>
[ACCESSORY]					
A763	LABEL	(SPCABLE)2009	1	29390881	
A765	WRNTY CARD	(ONKYO)	1	29365135	<MDC>
A765	WRNTY CARD	(ONKYO-CH)	1	29365098B	<MMR>
A769	INST SHEET	CHINA ROHS	1	29355616A	<MMR>
A771	INST SHEET	WEEE	1	29355537A	<MMP>
A775	POLY BAG	w250xd350	1	29100250A	
A777	POLY BAG	w250xd350	1	29100250A	
A781	TAPE	(SEROHAN)NITTO NO.29	1	29110149	
A783	TAPE	(SEROHAN)NITTO NO.29	1	29110149	
A851	INS MANUAL	En(PA-MC5500)	1	29400190	N
A853	INS MANUAL	U2FrDe(PA-MC5500)	1	29400192A	N <MDC, MMP>
A854	INS MANUAL	U4ItDeNISv(PA-MC5500)	1	29400193	N <MMP>
A855	INS MANUAL	Cs(PA-MC5500)	1	29400194A	N <MMR>
P901	AC CORD	AS-CEE-3	1	253298VOL	! <MMP>
P901	AC CORD	AS-UC-2	1	253301VOL	! <MDC>
P901	AC CORD	AS-CCC	1	253358VOL	! <MMR>
P902	CORD AS	3.5 MINI PLUG	1	2010431	

PRINTED CIRCUIT PARTS LIST

PA-MC5500

U001	U0010 ~ U0014		1B234580-1C	N
U0010	AMP-4 POWER SUPPLY PCB AS	BAAF-0180-1C	1B2345180-1C	N
U0011	AMP DIODE PCB AS	BAPS-0181-1C	1B2345181-1C	N

U0012	AMP RELAY PCB AS	BAPS-0182-1C	1B2345182-1C	N
U0013	THERMAL SENSOR-1 PCB AS	BAETC-0183-1C	1B2345183-1C	N
U0014	THERMAL SENSOR-2 PCB AS	BAETC-0184-1C	1B2345184-1C	N

CIRCUIT. NO.	PART NAME	DESCRIPTION	Q'TY	PART NO. (SN)	REMARKS
[SEMI CONDUCTOR]					
D6221	DIODE	1SS133	1	223163T	
D6222	DIODE	1SS133	1	223163T	
D6601	DIODE	LN25XB60	1	22380345	
D6602	DIODE	1SS133	1	223163T	
D6611	DIODE	LN25XB60	1	22380345	
D6612	DIODE	1SS133	1	223163T	
D6621	DIODE	LN25XB60	1	22380345	
D6701	DIODE	1SS133	1	223163T	
D6702	DIODE	1SS133	1	223163T	
D6703	ZENER D	MTZJ3.3B	1	224470332T	
D6704	ZENER D	MTZJ3.3B	1	224470332T	
D6713	ZENER D	MTZJ3.3B	1	224470332T	
Q6000	TR	2SC1740S-S	1	2213285T	
Q6001	TR	2SC1740S-S	1	2213285T	
Q6002	TR	2SC1740S-S	1	2213285T	
Q6003	TR	2SC1740S-S	1	2213285T	
Q6004	TR	2SC1740S-S	1	2213285T	
Q6005	TR	2SC1740S-S	1	2213285T	
Q6006	TR	2SC1740S-S	1	2213285T	
Q6007	TR	2SC1740S-S	1	2213285T	
Q6008	TR	2SC1740S-S	1	2213285T	
Q6226	TR	2SB1240-R	1	2213794T	
Q6380	IC	LM61CIZ	1	22242212	
Q6380A	RETAINER	(PTH)	1	27141884-1	
Q6381	IC	LM61CIZ	1	22242212	
Q6381A	RETAINER	(PTH)	1	27141884-1	
Q6550	TR	2SC1815-GR	1	2211255T	
Q6551	TR	2SA950-O	1	2211503T	
Q6551 or	TR	2SA950-Y	(1)	2211504T	
Q6560	TR	2SC1815-GR	1	2211255T	
Q6561	TR	2SA950-O	1	2211503T	
Q6561 or	TR	2SA950-Y	(1)	2211504T	
Q6601	TR	KTC3199-GR	1	2215864T	

Q6601 or	TR	2SC1740S-R	(1)	2213284T	
Q6601 or	TR	2SC1740S-S	(1)	2213285T	
Q6611	TR	KTC3199-GR	1	2215864T	
Q6611 or	TR	2SC1740S-R	(1)	2213284T	
Q6611 or	TR	2SC1740S-S	(1)	2213285T	
Q6701	TR	2SC2240-BL(TPE2_F)	1	2211406T	
Q6701 or	TR	KTC3200-BL	(1)	2215896T	
Q6702	TR	2SC2240-BL(TPE2_F)	1	2211406T	
Q6702 or	TR	KTC3200-BL	(1)	2215896T	
Q6703	TR	2SA970-BL(TPE2_F)	1	2211396T	
Q6703 or	TR	KTA1268-BL	(1)	2215886T	
Q6713	TR	2SA970-BL(TPE2_F)	1	2211396T	
Q6713 or	TR	KTA1268-BL	(1)	2215886T	
[CAPACITOR]					
C6222	UTSP C	CE04W25V-220M(UTSP)	1	397552217T	
C6601	MKT C	B32529C0102J289	1	376491024T	
C6601 or	TF C	ECQ-B50V-102J	(1)	374721024T	
C6602	PLA C	ECQE250V-334J	1	3700083S	
C6611	MKT C	B32529C0102J289	1	376491024T	
C6611 or	TF C	ECQ-B50V-102J	(1)	374721024T	
C6612	TF C	ECQ-V100V-334J	1	374733344T	
C6622	TF C	ECQ-V100V-334J	1	374733344T	
C6701	UTSP C	CE04W16V-330M(UTSP)	1	397543317T	
C6703	TF C	ECQ-V50V-223J	1	374722234T	
C6704	UTSP C	CE04W50V-1M(UTSP)	1	397580107T	
C6706	UTSP C	CE04W50V-10M(UTSP)	1	397581007T	
C6713	TF C	ECQ-V50V-223J	1	374722234T	
C6714	UTSP C	CE04W50V-1M(UTSP)	1	397580107T	
C6901	ELECT C	CE04W75V-22000M	1	3504471	N <B MDC, MJJ, MMP, MMR>
C6902	ELECT C	CE04W75V-22000M	1	3504471	N <B MDC, MJJ, MMP, MMR>
[RESISTOR]					
R6222	METAL R	RNU1WCJ-1	1	453630104T	
R6223	CARBON R	R16J-5.6K	1	417345624T	
R6550	CARBON R	R16J-4.7K	1	417344724T	
R6551	CARBON R	R16J-330	1	417343314T	
R6552	CARBON R	R16J-1.8K	1	417341824T	
R6553	CARBON R	R16J-1.2K	1	417341224T	
R6554	CARBON R	R16J-22K	1	417342234T	
R6560	CARBON R	R16J-4.7K	1	417344724T	

R6561	CARBON R	R16J-330	1	417343314T
R6562	CARBON R	R16J-1.8K	1	417341824T
R6563	CARBON R	R16J-1.2K	1	417341224T
R6564	CARBON R	R16J-22K	1	417342234T
R6601	CARBON R	R16J-1K	1	417341024T
R6602	CARBON R	R16J-4.7K	1	417344724T
R6603	METAL O R	RS1/2WBJ-22	1	443522204T
R6611	CARBON R	R16J-1K	1	417341024T
R6612	CARBON R	R16J-4.7K	1	417344724T
R6613	METAL O R	RS1/2WBJ-22	1	443522204T
R6701	CARBON R	R16J-22K	1	417342234T
R6702	CARBON R	R16J-10K	1	417341034T
R6704	CARBON R	R16J-33K	1	417343334T
R6706	CARBON R	R16J-22K	1	417342234T
R6708	CARBON R	R16J-33K	1	417343334T
R6709	CARBON R	R16J-5.6K	1	417345624T
R6710	CARBON R	R16J-15K	1	417341534T
R6712	CARBON R	R16J-10K	1	417341034T
R6714	CARBON R	R16J-33K	1	417343334T
R6716	CARBON R	R16J-22K	1	417342234T
[SW TRM]				
F6601A	FUSE HOLDER	SN5051	1	250113
F6601B	FUSE HOLDER	SN5051	1	250113
F6602A	FUSE HOLDER	SN5051	1	250113
F6602B	FUSE HOLDER	SN5051	1	250113
F6603A	FUSE HOLDER	SN5051	1	250113
F6603B	FUSE HOLDER	SN5051	1	250113
F6604A	FUSE HOLDER	SN5051	1	250113
F6604B	FUSE HOLDER	SN5051	1	250113
JL6041A	WIRE HOL	NSCT-3P874	1	25051087
JL6402A	WIRE TRAP	NPLG-3P586	1	25055624
JL6402B	WIRE HOL	NSCT-3P874	1	25051087
JL6403A	WIRE TRAP	NPLG-3P586	1	25055624
JL6403B	WIRE HOL	NSCT-3P874	1	25051087
JL6602A	WIRE HOL	NSCT-5P876	1	25051089
JL6602B	WIRE TRAP	NPLG-5P588	1	25055626
JL6900A	WIRE HOL	NSCT-3P894	1	25051107
P5000A	SOCKET AS	NSAS-20P1825	1	200C4102010UL
P5001A	SOCKET AS	NSAS-16P1824	1	200C4191610UL

P5002A	CRIMP AS	CRIMP SR805_1	1	20799169UL	
P5010B	PLUG	NPLG-3P0958	1	25056008	
P5011B	PLUG	NPLG-3P0958	1	25056008	
P5012B	PLUG	NPLG-3P0958	1	25056008	
P5013B	PLUG	NPLG-3P0958	1	25056008	
P5014B	PLUG	NPLG-3P0958	1	25056008	
P5015B	PLUG	NPLG-3P0958	1	25056008	
P5016B	PLUG	NPLG-3P0958	1	25056008	
P5017B	PLUG	NPLG-3P0958	1	25056008	
P5018B	PLUG	NPLG-3P0958	1	25056008	
P5020B	TRM	NTM-1P232(M1700)	1	25060301	
P5021B	TRM	NTM-1P232(M1700)	1	25060301	
P5022B	TRM	NTM-1P232(M1700)	1	25060301	
P5023B	TRM	NTM-1P232(M1700)	1	25060301	
P5024B	TRM	NTM-1P232(M1700)	1	25060301	
P5025B	TRM	NTM-1P232(M1700)	1	25060301	
P5026B	TRM	NTM-1P232(M1700)	1	25060301	
P5027B	TRM	NTM-1P232(M1700)	1	25060301	
P5028B	TRM	NTM-1P232(M1700)	1	25060301	
P6010B	PLUG	NPLG-3P0958	1	25056008	
P6011B	PLUG	NPLG-3P0958	1	25056008	
P6012B	PLUG	NPLG-3P0958	1	25056008	
P6013B	PLUG	NPLG-3P0958	1	25056008	
P6014B	PLUG	NPLG-3P0958	1	25056008	
P6015B	PLUG	NPLG-3P0958	1	25056008	
P6016B	PLUG	NPLG-3P0958	1	25056008	
P6017B	PLUG	NPLG-3P0958	1	25056008	
P6018B	PLUG	NPLG-3P0958	1	25056008	
P6140	SOCKET AS	NSAS-9P1790	1	2009991156UL	
P6240	SOCKET AS	NSAS-9P1812	1	2009991172AUL	N
P6340	SOCKET AS	NSAS-8P1660	1	2009991064AUL	
P6500	PLUG	NPLG-7P163	1	25055179	
P6550	PLUG	NPLG-2P83	1	25055099	
P6560	PLUG	NPLG-2P568	1	25055600	
P6601	SOCKET AS	NSAS7P-1815	1	2009991174UL	N
P6601A	PLUG	NPLG-7P163	1	25055179	
P6602	RETAINER	(TRM-12)	1	27142148	N
P6602B	RETAINER	MET37-0002	1	27142009T	
P6603	RETAINER	(TRM-12)	1	27142148	N

P6603B	RETAINER	MET37-0002	1	27142009T	
P7210A	SOCKET AS	NSAS-22P1792	1	2009991158UL	N
RL6601	RELAY	G2RL-1A-E-DC12V-423	1	25060496	N
RL6602	RELAY	G2RL-1A-E-DC12V-423	1	25060496	N
RL6611	RELAY	G2RL-1A-E-DC12V-423	1	25060496	N
RL6612	RELAY	G2RL-1A-E-DC12V-423	1	25060496	N
[MECHA PARTS]					
P6400	RETAINER	(BUS-3)	1	27142058A	
P6401	RETAINER	(BUS-S)	1	27142147	N
P6402	RETAINER	(BUS-L)	1	27142146	N

U002	U0020 + U0021			1B234591-1A	N
U0020	AMP-2 (Final stage) PCB AS	BAAMP-0191-1A		1B2345191-1A	N
U0021	AMP-3 (Final stage) PCB AS	BAAMP-0192-1A		1B2345192-1A	N

CIRCUIT. NO.	PART NAME	DESCRIPTION	Q'TY	PART NO. (SN)	REMARKS
[SEMI CONDUCTOR]					
D6000	DIODE	1SS133	1	223163T	
D6001	DIODE	1SS133	1	223163T	
D6002	DIODE	1SS133	1	223163T	
D6003	DIODE	1SS133	1	223163T	
D6004	DIODE	1SS133	1	223163T	
D6005	DIODE	1SS133	1	223163T	
D6006	DIODE	1SS133	1	223163T	
D6007	DIODE	1SS133	1	223163T	
D6008	DIODE	1SS133	1	223163T	
Q6070	TR	2SC2631-R	1	2214984T	
Q6070 or	TR	2SC2240-BL(TPE2_F)	(1)	2211406T	
Q6070 or	TR	2SC2631-S	(1)	2214985T	
Q6071	TR	2SC2631-R	1	2214984T	
Q6071 or	TR	2SC2240-BL(TPE2_F)	(1)	2211406T	
Q6071 or	TR	2SC2631-S	(1)	2214985T	
Q6072	TR	2SC2631-R	1	2214984T	
Q6072 or	TR	2SC2240-BL(TPE2_F)	(1)	2211406T	
Q6072 or	TR	2SC2631-S	(1)	2214985T	
Q6073	TR	2SC2631-R	1	2214984T	
Q6073 or	TR	2SC2240-BL(TPE2_F)	(1)	2211406T	
Q6073 or	TR	2SC2631-S	(1)	2214985T	
Q6074	TR	2SC2631-R	1	2214984T	

Q6074 or	TR	2SC2240-BL(TPE2_F)	(1)	2211406T
Q6074 or	TR	2SC2631-S	(1)	2214985T
Q6075	TR	2SC2631-R	1	2214984T
Q6075 or	TR	2SC2240-BL(TPE2_F)	(1)	2211406T
Q6075 or	TR	2SC2631-S	(1)	2214985T
Q6076	TR	2SC2631-R	1	2214984T
Q6076 or	TR	2SC2240-BL(TPE2_F)	(1)	2211406T
Q6076 or	TR	2SC2631-S	(1)	2214985T
Q6077	TR	2SC2631-R	1	2214984T
Q6077 or	TR	2SC2240-BL(TPE2_F)	(1)	2211406T
Q6077 or	TR	2SC2631-S	(1)	2214985T
Q6078	TR	2SC2631-R	1	2214984T
Q6078 or	TR	2SC2240-BL(TPE2_F)	(1)	2211406T
Q6078 or	TR	2SC2631-S	(1)	2214985T
[TRANS COIL]				
L6000	FR CORE	*	1	5597-45502
L6001	FR CORE	*	1	5597-45502
L6002	FR CORE	*	1	5597-45502
L6003	FR CORE	*	1	5597-45502
L6004	FR CORE	*	1	5597-45502
L6005	FR CORE	*	1	5597-45502
L6006	FR CORE	*	1	5597-45502
L6007	FR CORE	*	1	5597-45502
L6008	FR CORE	*	1	5597-45502
L6010	FR CORE	*	1	5597-45502
L6011	FR CORE	*	1	5597-45502
L6012	FR CORE	*	1	5597-45502
L6013	FR CORE	*	1	5597-45502
L6014	FR CORE	*	1	5597-45502
L6015	FR CORE	*	1	5597-45502
L6016	FR CORE	*	1	5597-45502
L6017	FR CORE	*	1	5597-45502
L6018	FR CORE	*	1	5597-45502
[CAPACITOR]				
C6040	TF C	ECQ-V50V-223J	1	374722234T
C6041	TF C	ECQ-V50V-223J	1	374722234T
C6042	TF C	ECQ-V50V-223J	1	374722234T
C6043	TF C	ECQ-V50V-223J	1	374722234T
C6044	TF C	ECQ-V50V-223J	1	374722234T

C6045	TF C	ECQ-V50V-223J	1	374722234T
C6046	TF C	ECQ-V50V-223J	1	374722234T
C6047	TF C	ECQ-V50V-223J	1	374722234T
C6048	TF C	ECQ-V50V-223J	1	374722234T
[RESISTOR]				
R6080	METAL O R	RS1/2WBJ-10	1	443521004T
R6081	METAL O R	RS1/2WBJ-10	1	443521004T
R6082	METAL O R	RS1/2WBJ-10	1	443521004T
R6083	METAL O R	RS1/2WBJ-10	1	443521004T
R6084	METAL O R	RS1/2WBJ-10	1	443521004T
R6085	METAL O R	RS1/2WBJ-10	1	443521004T
R6086	METAL O R	RS1/2WBJ-10	1	443521004T
R6087	METAL O R	RS1/2WBJ-10	1	443521004T
R6088	METAL O R	RS1/2WBJ-10	1	443521004T
R6090	METAL O R	RS1/2WBJ-10	1	443521004T
R6091	METAL O R	RS1/2WBJ-10	1	443521004T
R6092	METAL O R	RS1/2WBJ-10	1	443521004T
R6093	METAL O R	RS1/2WBJ-10	1	443521004T
R6094	METAL O R	RS1/2WBJ-10	1	443521004T
R6095	METAL O R	RS1/2WBJ-10	1	443521004T
R6096	METAL O R	RS1/2WBJ-10	1	443521004T
R6097	METAL O R	RS1/2WBJ-10	1	443521004T
R6098	METAL O R	RS1/2WBJ-10	1	443521004T
R6170	CARBON R	R16J-33K	1	417343334T
R6171	CARBON R	R16J-33K	1	417343334T
R6172	CARBON R	R16J-33K	1	417343334T
R6173	CARBON R	R16J-33K	1	417343334T
R6174	CARBON R	R16J-33K	1	417343334T
R6175	CARBON R	R16J-33K	1	417343334T
R6176	CARBON R	R16J-33K	1	417343334T
R6177	CARBON R	R16J-33K	1	417343334T
R6178	CARBON R	R16J-33K	1	417343334T
R6180	CARBON R	R16J-56K	1	417345634T
R6181	CARBON R	R16J-56K	1	417345634T
R6182	CARBON R	R16J-56K	1	417345634T
R6183	CARBON R	R16J-56K	1	417345634T
R6184	CARBON R	R16J-56K	1	417345634T
R6185	CARBON R	R16J-56K	1	417345634T
R6186	CARBON R	R16J-56K	1	417345634T

R6187	CARBON R	R16J-56K	1	417345634T	
R6188	CARBON R	R16J-56K	1	417345634T	
R6190	CARBON R	R16J-10K	1	417341034T	
R6191	CARBON R	R16J-10K	1	417341034T	
R6192	CARBON R	R16J-10K	1	417341034T	
R6193	CARBON R	R16J-10K	1	417341034T	
R6194	CARBON R	R16J-10K	1	417341034T	
R6195	CARBON R	R16J-10K	1	417341034T	
R6196	CARBON R	R16J-10K	1	417341034T	
R6197	CARBON R	R16J-10K	1	417341034T	
R6198	CARBON R	R16J-10K	1	417341034T	
R6210	CARBON R	R16J-47K	1	417344734T	
R6211	CARBON R	R16J-47K	1	417344734T	
R6212	CARBON R	R16J-47K	1	417344734T	
R6213	CARBON R	R16J-47K	1	417344734T	
R6214	CARBON R	R16J-47K	1	417344734T	
R6215	CARBON R	R16J-47K	1	417344734T	
R6216	CARBON R	R16J-47K	1	417344734T	
R6217	CARBON R	R16J-47K	1	417344734T	
R6218	CARBON R	R16J-47K	1	417344734T	
R6230	CARBON R	R16J-47K	1	417344734T	
R6231	CARBON R	R16J-47K	1	417344734T	
R6232	CARBON R	R16J-47K	1	417344734T	
R6233	CARBON R	R16J-47K	1	417344734T	
R6234	CARBON R	R16J-47K	1	417344734T	
R6235	CARBON R	R16J-47K	1	417344734T	
R6236	CARBON R	R16J-47K	1	417344734T	
R6237	CARBON R	R16J-47K	1	417344734T	
R6238	CARBON R	R16J-47K	1	417344734T	
R6400	METAL PR	MPR2W+2WK 0R47	1	4000253	N
R6400 or	METAL P R	RF2EGPKR47S	(1)	4000257	
R6401	METAL PR	MPR2W+2WK 0R47	1	4000253	N
R6401 or	METAL P R	RF2EGPKR47S	(1)	4000257	
R6402	METAL PR	MPR2W+2WK 0R47	1	4000253	N
R6402 or	METAL P R	RF2EGPKR47S	(1)	4000257	
R6403	METAL PR	MPR2W+2WK 0R47	1	4000253	N
R6403 or	METAL P R	RF2EGPKR47S	(1)	4000257	
R6404	METAL PR	MPR2W+2WK 0R47	1	4000253	N
R6404 or	METAL P R	RF2EGPKR47S	(1)	4000257	

R6405	METAL PR	MPR2W+2WK 0R47	1	4000253	N
R6405 or	METAL P R	RF2EGPKR47S	(1)	4000257	
R6406	METAL PR	MPR2W+2WK 0R47	1	4000253	N
R6406 or	METAL P R	RF2EGPKR47S	(1)	4000257	
R6407	METAL PR	MPR2W+2WK 0R47	1	4000253	N
R6407 or	METAL P R	RF2EGPKR47S	(1)	4000257	
R6408	METAL PR	MPR2W+2WK 0R47	1	4000253	N
R6408 or	METAL P R	RF2EGPKR47S	(1)	4000257	
R6410	METAL PR	MPR2W+2WK 0R47	1	4000253	N
R6410 or	METAL P R	RF2EGPKR47S	(1)	4000257	
R6411	METAL PR	MPR2W+2WK 0R47	1	4000253	N
R6411 or	METAL P R	RF2EGPKR47S	(1)	4000257	
R6412	METAL PR	MPR2W+2WK 0R47	1	4000253	N
R6412 or	METAL P R	RF2EGPKR47S	(1)	4000257	
R6413	METAL PR	MPR2W+2WK 0R47	1	4000253	N
R6413 or	METAL P R	RF2EGPKR47S	(1)	4000257	
R6414	METAL PR	MPR2W+2WK 0R47	1	4000253	N
R6414 or	METAL P R	RF2EGPKR47S	(1)	4000257	
R6415	METAL PR	MPR2W+2WK 0R47	1	4000253	N
R6415 or	METAL P R	RF2EGPKR47S	(1)	4000257	
R6416	METAL PR	MPR2W+2WK 0R47	1	4000253	N
R6416 or	METAL P R	RF2EGPKR47S	(1)	4000257	
R6417	METAL PR	MPR2W+2WK 0R47	1	4000253	N
R6417 or	METAL P R	RF2EGPKR47S	(1)	4000257	
R6418	METAL PR	MPR2W+2WK 0R47	1	4000253	N
R6418 or	METAL P R	RF2EGPKR47S	(1)	4000257	
[SW TRM]					
JL6041B	WIRE TRAP	NPLG-3P586	1	25055624	
JL6042A	WIRE HOL	NSCT-3P874	1	25051087	
JL6042B	WIRE TRAP	NPLG-3P586	1	25055624	
P6030A	PLUG	IMSA-9115B-05	1	25056335	N
P6031A	PLUG	IMSA-9115B-05	1	25056335	N
P6032A	PLUG	IMSA-9115B-05	1	25056335	N
P6033A	PLUG	IMSA-9115B-05	1	25056335	N
P6034A	PLUG	IMSA-9115B-05	1	25056335	N
P6035A	PLUG	IMSA-9115B-05	1	25056335	N
P6036A	PLUG	IMSA-9115B-05	1	25056335	N
P6037A	PLUG	IMSA-9115B-05	1	25056335	N
P6038A	PLUG	IMSA-9115B-05	1	25056335	N

P6050	PLUG	IMSA-9201B-1-06Z388-PT1	1	25056614	
P6051	PLUG	IMSA-9201B-1-06Z388-PT1	1	25056614	
P6052	PLUG	IMSA-9201B-1-06Z388-PT1	1	25056614	
P6053	PLUG	IMSA-9201B-1-06Z388-PT1	1	25056614	
P6054	PLUG	IMSA-9201B-1-06Z388-PT1	1	25056614	
P6055	PLUG	IMSA-9201B-1-06Z388-PT1	1	25056614	
P6056	PLUG	IMSA-9201B-1-06Z388-PT1	1	25056614	
P6057	PLUG	IMSA-9201B-1-06Z388-PT1	1	25056614	
P6058	PLUG	IMSA-9201B-1-06Z388-PT1	1	25056614	
P6060	PLUG	IMSA-9201B-1-06Z388-PT1	1	25056614	
P6061	PLUG	IMSA-9201B-1-06Z388-PT1	1	25056614	
P6062	PLUG	IMSA-9201B-1-06Z388-PT1	1	25056614	
P6063	PLUG	IMSA-9201B-1-06Z388-PT1	1	25056614	
P6064	PLUG	IMSA-9201B-1-06Z388-PT1	1	25056614	
P6065	PLUG	IMSA-9201B-1-06Z388-PT1	1	25056614	
P6066	PLUG	IMSA-9201B-1-06Z388-PT1	1	25056614	
P6067	PLUG	IMSA-9201B-1-06Z388-PT1	1	25056614	
P6068	PLUG	IMSA-9201B-1-06Z388-PT1	1	25056614	
P6070	PLUG	NPLG-2P645	1	25055689	
P6071	PLUG	NPLG-2P645	1	25055689	
P6072	PLUG	NPLG-2P645	1	25055689	
P6073	PLUG	NPLG-2P645	1	25055689	
P6074	PLUG	NPLG-2P645	1	25055689	
P6075	PLUG	NPLG-2P645	1	25055689	
P6076	PLUG	NPLG-2P645	1	25055689	
P6077	PLUG	NPLG-2P645	1	25055689	
P6078	PLUG	NPLG-2P645	1	25055689	
P6240	SOCKET AS	NSAS-4P1789	1	2009991155AUL	N
P6250	SOCKET AS	NSAS-5P1791	1	2009991157AUL	N
P6340A	PLUG	NPLG-2P149	1	25055165	
P6350A	PLUG	NPLG-2P149	1	25055165	
[MECHA PARTS]					
P6340B	RETAINER	(AMP-4)	1	27142144	N
P6340C	RETAINER	(AMP-4)	1	27142144	N
P6350B	RETAINER	(AMP-5)	1	27142145	N
P6350C	RETAINER	(AMP-5)	1	27142145	N

U003	U0030 ~ U0038			1B234526-1A	N
U0030	VOLTAGE AMP PCB AS	BACLA-0226-1A		1B2345226-1A	N

U0031	VOLTAGE AMP PCB AS	BACLA-0227-1A	1B2345227-1A	N
U0032	VOLTAGE AMP PCB AS	BACLA-0228-1A	1B2345228-1A	N
U0033	VOLTAGE AMP PCB AS	BACLA-0229-1A	1B2345229-1A	N
U0034	VOLTAGE AMP PCB AS	BACLA-0230-1A	1B2345230-1A	N
U0035	VOLTAGE AMP PCB AS	BACLA-0231-1A	1B2345231-1A	N
U0036	VOLTAGE AMP PCB AS	BACLA-0232-1A	1B2345232-1A	N
U0037	VOLTAGE AMP PCB AS	BACLA-0233-1A	1B2345233-1A	N
U0038	VOLTAGE AMP PCB AS	BACLA-0234-1A	1B2345234-1A	N

CIRCUIT. NO.	PART NAME	DESCRIPTION	Q'TY	PART NO. (SN)	REMARKS
[SEMI CONDUCTOR]					
D5000	ZENER D	MTZJ5.6B	1	224470562T	
D5001	ZENER D	MTZJ5.6B	1	224470562T	
D5002	ZENER D	MTZJ5.6B	1	224470562T	
D5003	ZENER D	MTZJ5.6B	1	224470562T	
D5004	ZENER D	MTZJ5.6B	1	224470562T	
D5005	ZENER D	MTZJ5.6B	1	224470562T	
D5006	ZENER D	MTZJ5.6B	1	224470562T	
D5007	ZENER D	MTZJ5.6B	1	224470562T	
D5008	ZENER D	MTZJ5.6B	1	224470562T	
Q5000	TR	2SC2240-BL(TPE2_F)	1	2211406T	
Q5001	TR	2SC2240-BL(TPE2_F)	1	2211406T	
Q5002	TR	2SC2240-BL(TPE2_F)	1	2211406T	
Q5003	TR	2SC2240-BL(TPE2_F)	1	2211406T	
Q5004	TR	2SC2240-BL(TPE2_F)	1	2211406T	
Q5005	TR	2SC2240-BL(TPE2_F)	1	2211406T	
Q5006	TR	2SC2240-BL(TPE2_F)	1	2211406T	
Q5007	TR	2SC2240-BL(TPE2_F)	1	2211406T	
Q5008	TR	2SC2240-BL(TPE2_F)	1	2211406T	
Q5010	TR	2SC2240-BL(TPE2_F)	1	2211406T	
Q5011	TR	2SC2240-BL(TPE2_F)	1	2211406T	
Q5012	TR	2SC2240-BL(TPE2_F)	1	2211406T	
Q5013	TR	2SC2240-BL(TPE2_F)	1	2211406T	
Q5014	TR	2SC2240-BL(TPE2_F)	1	2211406T	
Q5015	TR	2SC2240-BL(TPE2_F)	1	2211406T	
Q5016	TR	2SC2240-BL(TPE2_F)	1	2211406T	
Q5017	TR	2SC2240-BL(TPE2_F)	1	2211406T	
Q5018	TR	2SC2240-BL(TPE2_F)	1	2211406T	
Q5020	TR	2SC2240-BL(TPE2_F)	1	2211406T	

Q5021	TR	2SC2240-BL(TPE2_F)	1	2211406T
Q5022	TR	2SC2240-BL(TPE2_F)	1	2211406T
Q5023	TR	2SC2240-BL(TPE2_F)	1	2211406T
Q5024	TR	2SC2240-BL(TPE2_F)	1	2211406T
Q5025	TR	2SC2240-BL(TPE2_F)	1	2211406T
Q5026	TR	2SC2240-BL(TPE2_F)	1	2211406T
Q5027	TR	2SC2240-BL(TPE2_F)	1	2211406T
Q5028	TR	2SC2240-BL(TPE2_F)	1	2211406T
Q5030	TR	2SA949-O(TPE6_F)	1	2211353T
Q5030 or	TR	2SA949-Y(TPE6_F)	(1)	2211354T
Q5031	TR	2SA949-O(TPE6_F)	1	2211353T
Q5031 or	TR	2SA949-Y(TPE6_F)	(1)	2211354T
Q5032	TR	2SA949-O(TPE6_F)	1	2211353T
Q5032 or	TR	2SA949-Y(TPE6_F)	(1)	2211354T
Q5033	TR	2SA949-O(TPE6_F)	1	2211353T
Q5033 or	TR	2SA949-Y(TPE6_F)	(1)	2211354T
Q5034	TR	2SA949-O(TPE6_F)	1	2211353T
Q5034 or	TR	2SA949-Y(TPE6_F)	(1)	2211354T
Q5035	TR	2SA949-O(TPE6_F)	1	2211353T
Q5035 or	TR	2SA949-Y(TPE6_F)	(1)	2211354T
Q5036	TR	2SA949-O(TPE6_F)	1	2211353T
Q5036 or	TR	2SA949-Y(TPE6_F)	(1)	2211354T
Q5037	TR	2SA949-O(TPE6_F)	1	2211353T
Q5037 or	TR	2SA949-Y(TPE6_F)	(1)	2211354T
Q5038	TR	2SA949-O(TPE6_F)	1	2211353T
Q5038 or	TR	2SA949-Y(TPE6_F)	(1)	2211354T
Q5040	TR	2SA949-O(TPE6_F)	1	2211353T
Q5040 or	TR	2SA949-Y(TPE6_F)	(1)	2211354T
Q5041	TR	2SA949-O(TPE6_F)	1	2211353T
Q5041 or	TR	2SA949-Y(TPE6_F)	(1)	2211354T
Q5042	TR	2SA949-O(TPE6_F)	1	2211353T
Q5042 or	TR	2SA949-Y(TPE6_F)	(1)	2211354T
Q5043	TR	2SA949-O(TPE6_F)	1	2211353T
Q5043 or	TR	2SA949-Y(TPE6_F)	(1)	2211354T
Q5044	TR	2SA949-O(TPE6_F)	1	2211353T
Q5044 or	TR	2SA949-Y(TPE6_F)	(1)	2211354T
Q5045	TR	2SA949-O(TPE6_F)	1	2211353T
Q5045 or	TR	2SA949-Y(TPE6_F)	(1)	2211354T
Q5046	TR	2SA949-O(TPE6_F)	1	2211353T

Q5046 or	TR	2SA949-Y(TPE6_F)	(1)	2211354T
Q5047	TR	2SA949-O(TPE6_F)	1	2211353T
Q5047 or	TR	2SA949-Y(TPE6_F)	(1)	2211354T
Q5048	TR	2SA949-O(TPE6_F)	1	2211353T
Q5048 or	TR	2SA949-Y(TPE6_F)	(1)	2211354T
Q5050	TR	2SA1360-Y	1	2202094
Q5050 or	TR	2SA1360-O	(1)	2202093
Q5051	TR	2SA1360-Y	1	2202094
Q5051 or	TR	2SA1360-O	(1)	2202093
Q5052	TR	2SA1360-Y	1	2202094
Q5052 or	TR	2SA1360-O	(1)	2202093
Q5053	TR	2SA1360-Y	1	2202094
Q5053 or	TR	2SA1360-O	(1)	2202093
Q5054	TR	2SA1360-Y	1	2202094
Q5054 or	TR	2SA1360-O	(1)	2202093
Q5055	TR	2SA1360-Y	1	2202094
Q5055 or	TR	2SA1360-O	(1)	2202093
Q5056	TR	2SA1360-Y	1	2202094
Q5056 or	TR	2SA1360-O	(1)	2202093
Q5057	TR	2SA1360-Y	1	2202094
Q5057 or	TR	2SA1360-O	(1)	2202093
Q5058	TR	2SA1360-Y	1	2202094
Q5058 or	TR	2SA1360-O	(1)	2202093
Q5060	TR	2SC2240-BL(TPE2_F)	1	2211406T
Q5061	TR	2SC2240-BL(TPE2_F)	1	2211406T
Q5062	TR	2SC2240-BL(TPE2_F)	1	2211406T
Q5063	TR	2SC2240-BL(TPE2_F)	1	2211406T
Q5064	TR	2SC2240-BL(TPE2_F)	1	2211406T
Q5065	TR	2SC2240-BL(TPE2_F)	1	2211406T
Q5066	TR	2SC2240-BL(TPE2_F)	1	2211406T
Q5067	TR	2SC2240-BL(TPE2_F)	1	2211406T
Q5068	TR	2SC2240-BL(TPE2_F)	1	2211406T
Q5070	TR	2SC2240-BL(TPE2_F)	1	2211406T
Q5071	TR	2SC2240-BL(TPE2_F)	1	2211406T
Q5072	TR	2SC2240-BL(TPE2_F)	1	2211406T
Q5073	TR	2SC2240-BL(TPE2_F)	1	2211406T
Q5074	TR	2SC2240-BL(TPE2_F)	1	2211406T
Q5075	TR	2SC2240-BL(TPE2_F)	1	2211406T
Q5076	TR	2SC2240-BL(TPE2_F)	1	2211406T

Q5077	TR	2SC2240-BL(TPE2_F)	1	2211406T	
Q5078	TR	2SC2240-BL(TPE2_F)	1	2211406T	
Q5080	TR	2SC3423-Y	1	2202104	
Q5080 or	TR	2SC3423-O	(1)	2202103	
Q5080A	HEAT SINK	(CLA)B	1	27160642A	N
Q5080B	SCREW	3TTB+8B(3BC)	4	838430088GR	
Q5081	TR	2SC3423-Y	1	2202104	
Q5081 or	TR	2SC3423-O	(1)	2202103	
Q5081A	HEAT SINK	(CLA)B	1	27160642A	N
Q5081B	SCREW	3TTB+8B(3BC)	4	838430088GR	
Q5082	TR	2SC3423-Y	1	2202104	
Q5082 or	TR	2SC3423-O	(1)	2202103	
Q5082A	HEAT SINK	(CLA)B	1	27160642A	N
Q5082B	SCREW	3TTB+8B(3BC)	4	838430088GR	
Q5083	TR	2SC3423-Y	1	2202104	
Q5083 or	TR	2SC3423-O	(1)	2202103	
Q5083A	HEAT SINK	(CLA)B	1	27160642A	N
Q5083B	SCREW	3TTB+8B(3BC)	4	838430088GR	
Q5084	TR	2SC3423-Y	1	2202104	
Q5084 or	TR	2SC3423-O	(1)	2202103	
Q5084A	HEAT SINK	(CLA)B	1	27160642A	N
Q5084B	SCREW	3TTB+8B(3BC)	4	838430088GR	
Q5085	TR	2SC3423-Y	1	2202104	
Q5085 or	TR	2SC3423-O	(1)	2202103	
Q5085A	HEAT SINK	(CLA)B	1	27160642A	N
Q5085B	SCREW	3TTB+8B(3BC)	4	838430088GR	
Q5086	TR	2SC3423-Y	1	2202104	
Q5086 or	TR	2SC3423-O	(1)	2202103	
Q5086A	HEAT SINK	(CLA)B	1	27160642A	N
Q5086B	SCREW	3TTB+8B(3BC)	4	838430088GR	
Q5087	TR	2SC3423-Y	1	2202104	
Q5087 or	TR	2SC3423-O	(1)	2202103	
Q5087A	HEAT SINK	(CLA)B	1	27160642A	N
Q5087B	SCREW	3TTB+8B(3BC)	4	838430088GR	
Q5088	TR	2SC3423-Y	1	2202104	
Q5088 or	TR	2SC3423-O	(1)	2202103	
Q5088B	SCREW	3TTB+8B(3BC)	4	838430088GR	
Q5888A	HEAT SINK	(CLA)B	1	27160642A	N
Q6010	TR	2SC1740S-S	1	2213285T	

Q6011	TR	2SC1740S-S	1	2213285T
Q6012	TR	2SC1740S-S	1	2213285T
Q6013	TR	2SC1740S-S	1	2213285T
Q6014	TR	2SC1740S-S	1	2213285T
Q6015	TR	2SC1740S-S	1	2213285T
Q6016	TR	2SC1740S-S	1	2213285T
Q6017	TR	2SC1740S-S	1	2213285T
Q6018	TR	2SC1740S-S	1	2213285T
Q6020	TR	2SA933S-R	1	2213354T
Q6020 or	TR	2SA1048-GR	(1)	2212125T
Q6020 or	TR	2SA933S-S	(1)	2213355T
Q6020 or	TR	KTA1267-GR	(1)	2215995T
Q6021	TR	2SA933S-R	1	2213354T
Q6021 or	TR	2SA1048-GR	(1)	2212125T
Q6021 or	TR	2SA933S-S	(1)	2213355T
Q6021 or	TR	KTA1267-GR	(1)	2215995T
Q6022	TR	2SA933S-R	1	2213354T
Q6022 or	TR	2SA1048-GR	(1)	2212125T
Q6022 or	TR	2SA933S-S	(1)	2213355T
Q6022 or	TR	KTA1267-GR	(1)	2215995T
Q6023	TR	2SA933S-R	1	2213354T
Q6023 or	TR	2SA1048-GR	(1)	2212125T
Q6023 or	TR	2SA933S-S	(1)	2213355T
Q6023 or	TR	KTA1267-GR	(1)	2215995T
Q6024	TR	2SA933S-R	1	2213354T
Q6024 or	TR	2SA1048-GR	(1)	2212125T
Q6024 or	TR	2SA933S-S	(1)	2213355T
Q6024 or	TR	KTA1267-GR	(1)	2215995T
Q6025	TR	2SA933S-R	1	2213354T
Q6025 or	TR	2SA1048-GR	(1)	2212125T
Q6025 or	TR	2SA933S-S	(1)	2213355T
Q6025 or	TR	KTA1267-GR	(1)	2215995T
Q6026	TR	2SA933S-R	1	2213354T
Q6026 or	TR	2SA1048-GR	(1)	2212125T
Q6026 or	TR	2SA933S-S	(1)	2213355T
Q6026 or	TR	KTA1267-GR	(1)	2215995T
Q6027	TR	2SA933S-R	1	2213354T
Q6027 or	TR	2SA1048-GR	(1)	2212125T
Q6027 or	TR	2SA933S-S	(1)	2213355T

Q6027 or	TR	KTA1267-GR	(1)	2215995T
Q6028	TR	2SA933S-R	1	2213354T
Q6028 or	TR	2SA1048-GR	(1)	2212125T
Q6028 or	TR	2SA933S-S	(1)	2213355T
Q6028 or	TR	KTA1267-GR	(1)	2215995T
Q6030	TR	2SC2229-O(TPE6_F)	1	2211633T
Q6030 or	TR	2SC2229-Y(TPE6_F)	(1)	2211634T
Q6031	TR	2SC2229-O(TPE6_F)	1	2211633T
Q6031 or	TR	2SC2229-Y(TPE6_F)	(1)	2211634T
Q6032	TR	2SC2229-O(TPE6_F)	1	2211633T
Q6032 or	TR	2SC2229-Y(TPE6_F)	(1)	2211634T
Q6033	TR	2SC2229-O(TPE6_F)	1	2211633T
Q6033 or	TR	2SC2229-Y(TPE6_F)	(1)	2211634T
Q6034	TR	2SC2229-O(TPE6_F)	1	2211633T
Q6034 or	TR	2SC2229-Y(TPE6_F)	(1)	2211634T
Q6035	TR	2SC2229-O(TPE6_F)	1	2211633T
Q6035 or	TR	2SC2229-Y(TPE6_F)	(1)	2211634T
Q6036	TR	2SC2229-O(TPE6_F)	1	2211633T
Q6036 or	TR	2SC2229-Y(TPE6_F)	(1)	2211634T
Q6037	TR	2SC2229-O(TPE6_F)	1	2211633T
Q6037 or	TR	2SC2229-Y(TPE6_F)	(1)	2211634T
Q6038	TR	2SC2229-O(TPE6_F)	1	2211633T
Q6038 or	TR	2SC2229-Y(TPE6_F)	(1)	2211634T
Q6040	TR	2SA949-O(TPE6_F)	1	2211353T
Q6040 or	TR	2SA949-Y(TPE6_F)	(1)	2211354T
Q6041	TR	2SA949-O(TPE6_F)	1	2211353T
Q6041 or	TR	2SA949-Y(TPE6_F)	(1)	2211354T
Q6042	TR	2SA949-O(TPE6_F)	1	2211353T
Q6042 or	TR	2SA949-Y(TPE6_F)	(1)	2211354T
Q6043	TR	2SA949-O(TPE6_F)	1	2211353T
Q6043 or	TR	2SA949-Y(TPE6_F)	(1)	2211354T
Q6044	TR	2SA949-O(TPE6_F)	1	2211353T
Q6044 or	TR	2SA949-Y(TPE6_F)	(1)	2211354T
Q6045	TR	2SA949-O(TPE6_F)	1	2211353T
Q6045 or	TR	2SA949-Y(TPE6_F)	(1)	2211354T
Q6046	TR	2SA949-O(TPE6_F)	1	2211353T
Q6046 or	TR	2SA949-Y(TPE6_F)	(1)	2211354T
Q6047	TR	2SA949-O(TPE6_F)	1	2211353T
Q6047 or	TR	2SA949-Y(TPE6_F)	(1)	2211354T

Q6048	TR	2SA949-O(TPE6_F)	1	2211353T	
Q6048 or	TR	2SA949-Y(TPE6_F)	(1)	2211354T	
Q6100	TR	TTA-004(Q)TO126	1	2217442	N
Q6101	TR	TTA-004(Q)TO126	1	2217442	N
Q6102	TR	TTA-004(Q)TO126	1	2217442	N
Q6103	TR	TTA-004(Q)TO126	1	2217442	N
Q6104	TR	TTA-004(Q)TO126	1	2217442	N
Q6105	TR	TTA-004(Q)TO126	1	2217442	N
Q6106	TR	TTA-004(Q)TO126	1	2217442	N
Q6107	TR	TTA-004(Q)TO126	1	2217442	N
Q6108	TR	TTA-004(Q)TO126	1	2217442	N
Q6110	TR	TTC-004(Q)TO126	1	2217452	N
Q6111	TR	TTC-004(Q)TO126	1	2217452	N
Q6112	TR	TTC-004(Q)TO126	1	2217452	N
Q6113	TR	TTC-004(Q)TO126	1	2217452	N
Q6114	TR	TTC-004(Q)TO126	1	2217452	N
Q6115	TR	TTC-004(Q)TO126	1	2217452	N
Q6116	TR	TTC-004(Q)TO126	1	2217452	N
Q6117	TR	TTC-004(Q)TO126	1	2217452	N
Q6118	TR	TTC-004(Q)TO126	1	2217452	N
[CAPACITOR]					
C5000	UTSP C	CE04W50V-10M(UTSP)	1	397581007T	
C5001	UTSP C	CE04W50V-10M(UTSP)	1	397581007T	
C5002	UTSP C	CE04W50V-10M(UTSP)	1	397581007T	
C5003	UTSP C	CE04W50V-10M(UTSP)	1	397581007T	
C5004	UTSP C	CE04W50V-10M(UTSP)	1	397581007T	
C5005	UTSP C	CE04W50V-10M(UTSP)	1	397581007T	
C5006	UTSP C	CE04W50V-10M(UTSP)	1	397581007T	
C5007	UTSP C	CE04W50V-10M(UTSP)	1	397581007T	
C5008	UTSP C	CE04W50V-10M(UTSP)	1	397581007T	
C5010	UTSJ C	CE04W50V-47M(UTSJ)	1	398084707AT	<B MDC, MJJ, MMP, MMR>
C5011	UTSJ C	CE04W50V-47M(UTSJ)	1	398084707AT	<B MDC, MJJ, MMP, MMR>
C5012	UTSJ C	CE04W50V-47M(UTSJ)	1	398084707AT	<B MDC, MJJ, MMP, MMR>
C5013	UTSJ C	CE04W50V-47M(UTSJ)	1	398084707AT	<B MDC, MJJ, MMP, MMR>
C5014	UTSJ C	CE04W50V-47M(UTSJ)	1	398084707AT	<B MDC, MJJ, MMP, MMR>
C5015	UTSJ C	CE04W50V-47M(UTSJ)	1	398084707AT	<B MDC, MJJ, MMP, MMR>
C5016	UTSJ C	CE04W50V-47M(UTSJ)	1	398084707AT	<B MDC, MJJ, MMP, MMR>
C5017	UTSJ C	CE04W50V-47M(UTSJ)	1	398084707AT	<B MDC, MJJ, MMP, MMR>
C5018	UTSJ C	CE04W50V-47M(UTSJ)	1	398084707AT	<B MDC, MJJ, MMP, MMR>

C5020	UPZ C	2AUPZTF471JE	1	376334714T
C5021	UPZ C	2AUPZTF471JE	1	376334714T
C5022	UPZ C	2AUPZTF471JE	1	376334714T
C5023	UPZ C	2AUPZTF471JE	1	376334714T
C5024	UPZ C	2AUPZTF471JE	1	376334714T
C5025	UPZ C	2AUPZTF471JE	1	376334714T
C5026	UPZ C	2AUPZTF471JE	1	376334714T
C5027	UPZ C	2AUPZTF471JE	1	376334714T
C5028	UPZ C	2AUPZTF471JE	1	376334714T
C5040	UTSP C	CE04W25V-220M(UTSP)	1	397552217T
C5041	UTSP C	CE04W25V-220M(UTSP)	1	397552217T
C5042	UTSP C	CE04W25V-220M(UTSP)	1	397552217T
C5043	UTSP C	CE04W25V-220M(UTSP)	1	397552217T
C5044	UTSP C	CE04W25V-220M(UTSP)	1	397552217T
C5045	UTSP C	CE04W25V-220M(UTSP)	1	397552217T
C5046	UTSP C	CE04W25V-220M(UTSP)	1	397552217T
C5047	UTSP C	CE04W25V-220M(UTSP)	1	397552217T
C5048	UTSP C	CE04W25V-220M(UTSP)	1	397552217T
C5070	VX C	CE04W100V-10M(VX_BLK)	1	397391007T
C5071	VX C	CE04W100V-10M(VX_BLK)	1	397391007T
C5072	VX C	CE04W100V-10M(VX_BLK)	1	397391007T
C5073	VX C	CE04W100V-10M(VX_BLK)	1	397391007T
C5074	VX C	CE04W100V-10M(VX_BLK)	1	397391007T
C5075	VX C	CE04W100V-10M(VX_BLK)	1	397391007T
C5076	VX C	CE04W100V-10M(VX_BLK)	1	397391007T
C5077	VX C	CE04W100V-10M(VX_BLK)	1	397391007T
C5078	VX C	CE04W100V-10M(VX_BLK)	1	397391007T
C5080	VX C	CE04W63V-22M(VX_BLK)	1	397372207T
C5081	VX C	CE04W63V-22M(VX_BLK)	1	397372207T
C5082	VX C	CE04W63V-22M(VX_BLK)	1	397372207T
C5083	VX C	CE04W63V-22M(VX_BLK)	1	397372207T
C5084	VX C	CE04W63V-22M(VX_BLK)	1	397372207T
C5085	VX C	CE04W63V-22M(VX_BLK)	1	397372207T
C5086	VX C	CE04W63V-22M(VX_BLK)	1	397372207T
C5087	VX C	CE04W63V-22M(VX_BLK)	1	397372207T
C5088	VX C	CE04W63V-22M(VX_BLK)	1	397372207T
C5100	UPZ C	2AUPZTF101JE	1	376331014T
C5101	UPZ C	2AUPZTF101JE	1	376331014T
C5102	UPZ C	2AUPZTF101JE	1	376331014T

C5103	UPZ C	2AUPZTF101JE	1	376331014T	
C5104	UPZ C	2AUPZTF101JE	1	376331014T	
C5105	UPZ C	2AUPZTF101JE	1	376331014T	
C5106	UPZ C	2AUPZTF101JE	1	376331014T	
C5107	UPZ C	2AUPZTF101JE	1	376331014T	
C5108	UPZ C	2AUPZTF101JE	1	376331014T	
C5110	CERA C	CC45CH50V-010C	1	345340101T	
C5111	CERA C	CC45CH50V-010C	1	345340101T	
C5112	CERA C	CC45CH50V-010C	1	345340101T	
C5113	CERA C	CC45CH50V-010C	1	345340101T	
C5114	CERA C	CC45CH50V-010C	1	345340101T	
C5115	CERA C	CC45CH50V-010C	1	345340101T	
C5116	CERA C	CC45CH50V-010C	1	345340101T	
C5117	CERA C	CC45CH50V-010C	1	345340101T	
C5118	CERA C	CC45CH50V-010C	1	345340101T	
C5120	SPC C	CE04W100V-100M(RJ5)	1	396791017T	N
C5121	SPC C	CE04W100V-100M(RJ5)	1	396791017T	N
C5122	SPC C	CE04W100V-100M(RJ5)	1	396791017T	N
C5123	SPC C	CE04W100V-100M(RJ5)	1	396791017T	N
C5124	SPC C	CE04W100V-100M(RJ5)	1	396791017T	N
C5125	SPC C	CE04W100V-100M(RJ5)	1	396791017T	N
C5126	SPC C	CE04W100V-100M(RJ5)	1	396791017T	N
C5127	SPC C	CE04W100V-100M(RJ5)	1	396791017T	N
C5128	SPC C	CE04W100V-100M(RJ5)	1	396791017T	N
C5130	SPC C	CE04W100V-100M(RJ5)	1	396791017T	N
C5131	SPC C	CE04W100V-100M(RJ5)	1	396791017T	N
C5132	SPC C	CE04W100V-100M(RJ5)	1	396791017T	N
C5133	SPC C	CE04W100V-100M(RJ5)	1	396791017T	N
C5134	SPC C	CE04W100V-100M(RJ5)	1	396791017T	N
C5135	SPC C	CE04W100V-100M(RJ5)	1	396791017T	N
C5136	SPC C	CE04W100V-100M(RJ5)	1	396791017T	N
C5137	SPC C	CE04W100V-100M(RJ5)	1	396791017T	N
C5138	SPC C	CE04W100V-100M(RJ5)	1	396791017T	N
C6000	MKT C	B32529C0102J289	1	376491024T	
C6001	MKT C	B32529C0102J289	1	376491024T	
C6002	MKT C	B32529C0102J289	1	376491024T	
C6003	MKT C	B32529C0102J289	1	376491024T	
C6004	MKT C	B32529C0102J289	1	376491024T	
C6005	MKT C	B32529C0102J289	1	376491024T	

C6006	MKT C	B32529C0102J289	1	376491024T
C6007	MKT C	B32529C0102J289	1	376491024T
C6008	MKT C	B32529C0102J289	1	376491024T
C6010	UTSP C	CE04W50V 47M(UTSP)	1	397584707T
C6011	UTSP C	CE04W50V 47M(UTSP)	1	397584707T
C6012	UTSP C	CE04W50V 47M(UTSP)	1	397584707T
C6013	UTSP C	CE04W50V 47M(UTSP)	1	397584707T
C6014	UTSP C	CE04W50V 47M(UTSP)	1	397584707T
C6015	UTSP C	CE04W50V 47M(UTSP)	1	397584707T
C6016	UTSP C	CE04W50V 47M(UTSP)	1	397584707T
C6017	UTSP C	CE04W50V 47M(UTSP)	1	397584707T
C6018	UTSP C	CE04W50V 47M(UTSP)	1	397584707T
C6020	UTSP C	CE04W50V 47M(UTSP)	1	397584707T
C6021	UTSP C	CE04W50V 47M(UTSP)	1	397584707T
C6022	UTSP C	CE04W50V 47M(UTSP)	1	397584707T
C6023	UTSP C	CE04W50V 47M(UTSP)	1	397584707T
C6024	UTSP C	CE04W50V 47M(UTSP)	1	397584707T
C6025	UTSP C	CE04W50V 47M(UTSP)	1	397584707T
C6026	UTSP C	CE04W50V 47M(UTSP)	1	397584707T
C6027	UTSP C	CE04W50V 47M(UTSP)	1	397584707T
C6028	UTSP C	CE04W50V 47M(UTSP)	1	397584707T
[RESISTOR]				
R5000	CARBON R	R16J-1K	1	417341024T
R5001	CARBON R	R16J-1K	1	417341024T
R5002	CARBON R	R16J-1K	1	417341024T
R5003	CARBON R	R16J-1K	1	417341024T
R5004	CARBON R	R16J-1K	1	417341024T
R5005	CARBON R	R16J-1K	1	417341024T
R5006	CARBON R	R16J-1K	1	417341024T
R5007	CARBON R	R16J-1K	1	417341024T
R5008	CARBON R	R16J-1K	1	417341024T
R5010	CARBON R	R16J-56K	1	417345634T
R5011	CARBON R	R16J-56K	1	417345634T
R5012	CARBON R	R16J-56K	1	417345634T
R5013	CARBON R	R16J-56K	1	417345634T
R5014	CARBON R	R16J-56K	1	417345634T
R5015	CARBON R	R16J-56K	1	417345634T
R5016	CARBON R	R16J-56K	1	417345634T
R5017	CARBON R	R16J-56K	1	417345634T

R5018	CARBON R	R16J-56K	1	417345634T
R5020	CARBON R	R16J-330	1	417343314T
R5021	CARBON R	R16J-330	1	417343314T
R5022	CARBON R	R16J-330	1	417343314T
R5023	CARBON R	R16J-330	1	417343314T
R5024	CARBON R	R16J-330	1	417343314T
R5025	CARBON R	R16J-330	1	417343314T
R5026	CARBON R	R16J-330	1	417343314T
R5027	CARBON R	R16J-330	1	417343314T
R5028	CARBON R	R16J-330	1	417343314T
R5030	CARBON R	R16J-330	1	417343314T
R5031	CARBON R	R16J-330	1	417343314T
R5032	CARBON R	R16J-330	1	417343314T
R5033	CARBON R	R16J-330	1	417343314T
R5034	CARBON R	R16J-330	1	417343314T
R5035	CARBON R	R16J-330	1	417343314T
R5036	CARBON R	R16J-330	1	417343314T
R5037	CARBON R	R16J-330	1	417343314T
R5038	CARBON R	R16J-330	1	417343314T
R5040	CARBON R	R16J-330	1	417343314T
R5041	CARBON R	R16J-330	1	417343314T
R5042	CARBON R	R16J-330	1	417343314T
R5043	CARBON R	R16J-330	1	417343314T
R5044	CARBON R	R16J-330	1	417343314T
R5045	CARBON R	R16J-330	1	417343314T
R5046	CARBON R	R16J-330	1	417343314T
R5047	CARBON R	R16J-330	1	417343314T
R5048	CARBON R	R16J-330	1	417343314T
R5050	CARBON R	R16J-5.6K	1	417345624T
R5051	CARBON R	R16J-5.6K	1	417345624T
R5052	CARBON R	R16J-5.6K	1	417345624T
R5053	CARBON R	R16J-5.6K	1	417345624T
R5054	CARBON R	R16J-5.6K	1	417345624T
R5055	CARBON R	R16J-5.6K	1	417345624T
R5056	CARBON R	R16J-5.6K	1	417345624T
R5057	CARBON R	R16J-5.6K	1	417345624T
R5058	CARBON R	R16J-5.6K	1	417345624T
R5060	CARBON R	R16J-2.7K	1	417342724T
R5061	CARBON R	R16J-2.7K	1	417342724T

R5062	CARBON R	R16J-2.7K	1	417342724T
R5063	CARBON R	R16J-2.7K	1	417342724T
R5064	CARBON R	R16J-2.7K	1	417342724T
R5065	CARBON R	R16J-2.7K	1	417342724T
R5066	CARBON R	R16J-2.7K	1	417342724T
R5067	CARBON R	R16J-2.7K	1	417342724T
R5068	CARBON R	R16J-2.7K	1	417342724T
R5070	CARBON R	R16J-100K	1	417341044T
R5071	CARBON R	R16J-100K	1	417341044T
R5072	CARBON R	R16J-100K	1	417341044T
R5073	CARBON R	R16J-100K	1	417341044T
R5074	CARBON R	R16J-100K	1	417341044T
R5075	CARBON R	R16J-100K	1	417341044T
R5076	CARBON R	R16J-100K	1	417341044T
R5077	CARBON R	R16J-100K	1	417341044T
R5078	CARBON R	R16J-100K	1	417341044T
R5090	CARBON R	R16J-1.8K	1	417341824T
R5091	CARBON R	R16J-1.8K	1	417341824T
R5092	CARBON R	R16J-1.8K	1	417341824T
R5093	CARBON R	R16J-1.8K	1	417341824T
R5094	CARBON R	R16J-1.8K	1	417341824T
R5095	CARBON R	R16J-1.8K	1	417341824T
R5096	CARBON R	R16J-1.8K	1	417341824T
R5097	CARBON R	R16J-1.8K	1	417341824T
R5098	CARBON R	R16J-1.8K	1	417341824T
R5110	CARBON R	R16J-2.2K	1	417342224T
R5111	CARBON R	R16J-2.2K	1	417342224T
R5112	CARBON R	R16J-2.2K	1	417342224T
R5113	CARBON R	R16J-2.2K	1	417342224T
R5114	CARBON R	R16J-2.2K	1	417342224T
R5115	CARBON R	R16J-2.2K	1	417342224T
R5116	CARBON R	R16J-2.2K	1	417342224T
R5117	CARBON R	R16J-2.2K	1	417342224T
R5118	CARBON R	R16J-2.2K	1	417342224T
R5120	CARBON R	R16J-2.2K	1	417342224T
R5121	CARBON R	R16J-2.2K	1	417342224T
R5122	CARBON R	R16J-2.2K	1	417342224T
R5123	CARBON R	R16J-2.2K	1	417342224T
R5124	CARBON R	R16J-2.2K	1	417342224T

R5125	CARBON R	R16J-2.2K	1	417342224T
R5126	CARBON R	R16J-2.2K	1	417342224T
R5127	CARBON R	R16J-2.2K	1	417342224T
R5128	CARBON R	R16J-2.2K	1	417342224T
R5130	NF CARBON R	R25J-820	1	415478214T
R5131	NF CARBON R	R25J-820	1	415478214T
R5132	NF CARBON R	R25J-820	1	415478214T
R5133	NF CARBON R	R25J-820	1	415478214T
R5134	NF CARBON R	R25J-820	1	415478214T
R5135	NF CARBON R	R25J-820	1	415478214T
R5136	NF CARBON R	R25J-820	1	415478214T
R5137	NF CARBON R	R25J-820	1	415478214T
R5138	NF CARBON R	R25J-820	1	415478214T
R5140	NF CARBON R	R25J-820	1	415478214T
R5141	NF CARBON R	R25J-820	1	415478214T
R5142	NF CARBON R	R25J-820	1	415478214T
R5143	NF CARBON R	R25J-820	1	415478214T
R5144	NF CARBON R	R25J-820	1	415478214T
R5145	NF CARBON R	R25J-820	1	415478214T
R5146	NF CARBON R	R25J-820	1	415478214T
R5147	NF CARBON R	R25J-820	1	415478214T
R5148	NF CARBON R	R25J-820	1	415478214T
R5150	METAL O R	RS1/2WBJ-10K	1	443521034T
R5151	METAL O R	RS1/2WBJ-10K	1	443521034T
R5152	METAL O R	RS1/2WBJ-10K	1	443521034T
R5153	METAL O R	RS1/2WBJ-10K	1	443521034T
R5154	METAL O R	RS1/2WBJ-10K	1	443521034T
R5155	METAL O R	RS1/2WBJ-10K	1	443521034T
R5156	METAL O R	RS1/2WBJ-10K	1	443521034T
R5157	METAL O R	RS1/2WBJ-10K	1	443521034T
R5158	METAL O R	RS1/2WBJ-10K	1	443521034T
R5160	NF CARBON R	R25J-1.0K	1	415471024T
R5161	NF CARBON R	R25J-1.0K	1	415471024T
R5162	NF CARBON R	R25J-1.0K	1	415471024T
R5163	NF CARBON R	R25J-1.0K	1	415471024T
R5164	NF CARBON R	R25J-1.0K	1	415471024T
R5165	NF CARBON R	R25J-1.0K	1	415471024T
R5166	NF CARBON R	R25J-1.0K	1	415471024T
R5167	NF CARBON R	R25J-1.0K	1	415471024T

R5168	NF CARBON R	R25J-1.0K	1	415471024T
R5170	NF CARBON R	R25J-820	1	415478214T
R5171	NF CARBON R	R25J-820	1	415478214T
R5172	NF CARBON R	R25J-820	1	415478214T
R5173	NF CARBON R	R25J-820	1	415478214T
R5174	NF CARBON R	R25J-820	1	415478214T
R5175	NF CARBON R	R25J-820	1	415478214T
R5176	NF CARBON R	R25J-820	1	415478214T
R5177	NF CARBON R	R25J-820	1	415478214T
R5178	NF CARBON R	R25J-820	1	415478214T
R5180	NF CARBON R	R25J-33	1	415473304T
R5181	NF CARBON R	R25J-33	1	415473304T
R5182	NF CARBON R	R25J-33	1	415473304T
R5183	NF CARBON R	R25J-33	1	415473304T
R5184	NF CARBON R	R25J-33	1	415473304T
R5185	NF CARBON R	R25J-33	1	415473304T
R5186	NF CARBON R	R25J-33	1	415473304T
R5187	NF CARBON R	R25J-33	1	415473304T
R5188	NF CARBON R	R25J-33	1	415473304T
R5210	CARBON R	R16J-18K	1	417341834T
R5211	CARBON R	R16J-18K	1	417341834T
R5212	CARBON R	R16J-18K	1	417341834T
R5213	CARBON R	R16J-18K	1	417341834T
R5214	CARBON R	R16J-18K	1	417341834T
R5215	CARBON R	R16J-18K	1	417341834T
R5216	CARBON R	R16J-18K	1	417341834T
R5217	CARBON R	R16J-18K	1	417341834T
R5218	CARBON R	R16J-18K	1	417341834T
R5220	CARBON R	R16J-18K	1	417341834T
R5221	CARBON R	R16J-18K	1	417341834T
R5222	CARBON R	R16J-18K	1	417341834T
R5223	CARBON R	R16J-18K	1	417341834T
R5224	CARBON R	R16J-18K	1	417341834T
R5225	CARBON R	R16J-18K	1	417341834T
R5226	CARBON R	R16J-18K	1	417341834T
R5227	CARBON R	R16J-18K	1	417341834T
R5228	CARBON R	R16J-18K	1	417341834T
R5230	NF CARBON R	R25J-15	1	415471504T
R5231	NF CARBON R	R25J-15	1	415471504T

R5232	NF CARBON R	R25J-15	1	415471504T
R5233	NF CARBON R	R25J-15	1	415471504T
R5234	NF CARBON R	R25J-15	1	415471504T
R5235	NF CARBON R	R25J-15	1	415471504T
R5236	NF CARBON R	R25J-15	1	415471504T
R5237	NF CARBON R	R25J-15	1	415471504T
R5238	NF CARBON R	R25J-15	1	415471504T
R5240	NF CARBON R	R25J-15	1	415471504T
R5241	NF CARBON R	R25J-15	1	415471504T
R5242	NF CARBON R	R25J-15	1	415471504T
R5243	NF CARBON R	R25J-15	1	415471504T
R5244	NF CARBON R	R25J-15	1	415471504T
R5245	NF CARBON R	R25J-15	1	415471504T
R5246	NF CARBON R	R25J-15	1	415471504T
R5247	NF CARBON R	R25J-15	1	415471504T
R5248	NF CARBON R	R25J-15	1	415471504T
R5250	CARBON R	R16J-68K	1	417346834T
R5251	CARBON R	R16J-68K	1	417346834T
R5252	CARBON R	R16J-68K	1	417346834T
R5253	CARBON R	R16J-68K	1	417346834T
R5254	CARBON R	R16J-68K	1	417346834T
R5255	CARBON R	R16J-68K	1	417346834T
R5256	CARBON R	R16J-68K	1	417346834T
R5257	CARBON R	R16J-68K	1	417346834T
R5258	CARBON R	R16J-68K	1	417346834T
R5260	CARBON R	R16J-270K	1	417342744T
R5261	CARBON R	R16J-270K	1	417342744T
R5262	CARBON R	R16J-270K	1	417342744T
R5263	CARBON R	R16J-270K	1	417342744T
R5264	CARBON R	R16J-270K	1	417342744T
R5265	CARBON R	R16J-270K	1	417342744T
R5266	CARBON R	R16J-270K	1	417342744T
R5267	CARBON R	R16J-270K	1	417342744T
R5268	CARBON R	R16J-270K	1	417342744T
R5280	METAL O R	RS1/2WBJ-10K	1	443521034T
R5281	METAL O R	RS1/2WBJ-10K	1	443521034T
R5282	METAL O R	RS1/2WBJ-10K	1	443521034T
R5283	METAL O R	RS1/2WBJ-10K	1	443521034T
R5284	METAL O R	RS1/2WBJ-10K	1	443521034T

R5285	METAL O R	RS1/2WBJ-10K	1	443521034T
R5286	METAL O R	RS1/2WBJ-10K	1	443521034T
R5287	METAL O R	RS1/2WBJ-10K	1	443521034T
R5288	METAL O R	RS1/2WBJ-10K	1	443521034T
R5290	CARBON R	R16J-100K	1	417341044T
R5291	CARBON R	R16J-100K	1	417341044T
R5292	CARBON R	R16J-100K	1	417341044T
R5293	CARBON R	R16J-100K	1	417341044T
R5294	CARBON R	R16J-100K	1	417341044T
R5295	CARBON R	R16J-100K	1	417341044T
R5296	CARBON R	R16J-100K	1	417341044T
R5297	CARBON R	R16J-100K	1	417341044T
R5298	CARBON R	R16J-100K	1	417341044T
R5300	NF CARBON R	R25J-82	1	415478204T
R5301	NF CARBON R	R25J-82	1	415478204T
R5302	NF CARBON R	R25J-82	1	415478204T
R5303	NF CARBON R	R25J-82	1	415478204T
R5304	NF CARBON R	R25J-82	1	415478204T
R5305	NF CARBON R	R25J-82	1	415478204T
R5306	NF CARBON R	R25J-82	1	415478204T
R5307	NF CARBON R	R25J-82	1	415478204T
R5308	NF CARBON R	R25J-82	1	415478204T
R5330	NF CARBON R	R25J-82	1	415478204T
R5331	NF CARBON R	R25J-82	1	415478204T
R5332	NF CARBON R	R25J-82	1	415478204T
R5333	NF CARBON R	R25J-82	1	415478204T
R5334	NF CARBON R	R25J-82	1	415478204T
R5335	NF CARBON R	R25J-82	1	415478204T
R5336	NF CARBON R	R25J-82	1	415478204T
R5337	NF CARBON R	R25J-82	1	415478204T
R5338	NF CARBON R	R25J-82	1	415478204T
R5360	CARBON R	R16J-120K	1	417341244T
R5361	CARBON R	R16J-120K	1	417341244T
R5362	CARBON R	R16J-120K	1	417341244T
R5363	CARBON R	R16J-120K	1	417341244T
R5364	CARBON R	R16J-120K	1	417341244T
R5365	CARBON R	R16J-120K	1	417341244T
R5366	CARBON R	R16J-120K	1	417341244T
R5367	CARBON R	R16J-120K	1	417341244T

R5368	CARBON R	R16J-120K	1	417341244T
R5370	CARBON R	R16J-560K	1	417345644T
R5371	CARBON R	R16J-560K	1	417345644T
R5372	CARBON R	R16J-560K	1	417345644T
R5373	CARBON R	R16J-560K	1	417345644T
R5374	CARBON R	R16J-560K	1	417345644T
R5375	CARBON R	R16J-560K	1	417345644T
R5376	CARBON R	R16J-560K	1	417345644T
R5377	CARBON R	R16J-560K	1	417345644T
R5378	CARBON R	R16J-560K	1	417345644T
R6010	CARBON R	R16J-4.7K	1	417344724T
R6011	CARBON R	R16J-4.7K	1	417344724T
R6012	CARBON R	R16J-4.7K	1	417344724T
R6013	CARBON R	R16J-4.7K	1	417344724T
R6014	CARBON R	R16J-4.7K	1	417344724T
R6015	CARBON R	R16J-4.7K	1	417344724T
R6016	CARBON R	R16J-4.7K	1	417344724T
R6017	CARBON R	R16J-4.7K	1	417344724T
R6018	CARBON R	R16J-4.7K	1	417344724T
R6020	CARBON R	R16J-3.3K	1	417343324T
R6021	CARBON R	R16J-3.3K	1	417343324T
R6022	CARBON R	R16J-3.3K	1	417343324T
R6023	CARBON R	R16J-3.3K	1	417343324T
R6024	CARBON R	R16J-3.3K	1	417343324T
R6025	CARBON R	R16J-3.3K	1	417343324T
R6026	CARBON R	R16J-3.3K	1	417343324T
R6027	CARBON R	R16J-3.3K	1	417343324T
R6028	CARBON R	R16J-3.3K	1	417343324T
R6030	CARBON R	R16J-1.8K	1	417341824T
R6031	CARBON R	R16J-1.8K	1	417341824T
R6032	CARBON R	R16J-1.8K	1	417341824T
R6033	CARBON R	R16J-1.8K	1	417341824T
R6034	CARBON R	R16J-1.8K	1	417341824T
R6035	CARBON R	R16J-1.8K	1	417341824T
R6036	CARBON R	R16J-1.8K	1	417341824T
R6037	CARBON R	R16J-1.8K	1	417341824T
R6038	CARBON R	R16J-1.8K	1	417341824T
R6040	TRIM R	N06HR1KBB	1	5211401T
R6041	TRIM R	N06HR1KBB	1	5211401T

R6042	TRIM R	N06HR1KBB	1	5211401T
R6043	TRIM R	N06HR1KBB	1	5211401T
R6044	TRIM R	N06HR1KBB	1	5211401T
R6045	TRIM R	N06HR1KBB	1	5211401T
R6046	TRIM R	N06HR1KBB	1	5211401T
R6047	TRIM R	N06HR1KBB	1	5211401T
R6048	TRIM R	N06HR1KBB	1	5211401T
R6050	CARBON R	R16J-2.7K	1	417342724T
R6051	CARBON R	R16J-2.7K	1	417342724T
R6052	CARBON R	R16J-2.7K	1	417342724T
R6053	CARBON R	R16J-2.7K	1	417342724T
R6054	CARBON R	R16J-2.7K	1	417342724T
R6055	CARBON R	R16J-2.7K	1	417342724T
R6056	CARBON R	R16J-2.7K	1	417342724T
R6057	CARBON R	R16J-2.7K	1	417342724T
R6058	CARBON R	R16J-2.7K	1	417342724T
R6060	NF CARBON R	R25J-120	1	415471214T
R6061	NF CARBON R	R25J-120	1	415471214T
R6062	NF CARBON R	R25J-120	1	415471214T
R6063	NF CARBON R	R25J-120	1	415471214T
R6064	NF CARBON R	R25J-120	1	415471214T
R6065	NF CARBON R	R25J-120	1	415471214T
R6066	NF CARBON R	R25J-120	1	415471214T
R6067	NF CARBON R	R25J-120	1	415471214T
R6068	NF CARBON R	R25J-120	1	415471214T
R6070	NF CARBON R	R25J-82	1	415478204T
R6071	NF CARBON R	R25J-82	1	415478204T
R6072	NF CARBON R	R25J-82	1	415478204T
R6073	NF CARBON R	R25J-82	1	415478204T
R6074	NF CARBON R	R25J-82	1	415478204T
R6075	NF CARBON R	R25J-82	1	415478204T
R6076	NF CARBON R	R25J-82	1	415478204T
R6077	NF CARBON R	R25J-82	1	415478204T
R6078	NF CARBON R	R25J-82	1	415478204T
R6110	CARBON R	R16J-10K	1	417341034T
R6111	CARBON R	R16J-10K	1	417341034T
R6112	CARBON R	R16J-10K	1	417341034T
R6113	CARBON R	R16J-10K	1	417341034T
R6114	CARBON R	R16J-10K	1	417341034T

R6115	CARBON R	R16J-10K	1	417341034T
R6116	CARBON R	R16J-10K	1	417341034T
R6117	CARBON R	R16J-10K	1	417341034T
R6118	CARBON R	R16J-10K	1	417341034T
R6250	NF CARBON R	R25J-120	1	415471214T
R6251	NF CARBON R	R25J-120	1	415471214T
R6252	NF CARBON R	R25J-120	1	415471214T
R6253	NF CARBON R	R25J-120	1	415471214T
R6254	NF CARBON R	R25J-120	1	415471214T
R6255	NF CARBON R	R25J-120	1	415471214T
R6256	NF CARBON R	R25J-120	1	415471214T
R6257	NF CARBON R	R25J-120	1	415471214T
R6258	NF CARBON R	R25J-120	1	415471214T
R6260	NF CARBON R	R25J-120	1	415471214T
R6261	NF CARBON R	R25J-120	1	415471214T
R6262	NF CARBON R	R25J-120	1	415471214T
R6263	NF CARBON R	R25J-120	1	415471214T
R6264	NF CARBON R	R25J-120	1	415471214T
R6265	NF CARBON R	R25J-120	1	415471214T
R6266	NF CARBON R	R25J-120	1	415471214T
R6267	NF CARBON R	R25J-120	1	415471214T
R6268	NF CARBON R	R25J-120	1	415471214T
R6270	NF CARBON R	R25J-18	1	415471804T
R6271	NF CARBON R	R25J-18	1	415471804T
R6272	NF CARBON R	R25J-18	1	415471804T
R6273	NF CARBON R	R25J-18	1	415471804T
R6274	NF CARBON R	R25J-18	1	415471804T
R6275	NF CARBON R	R25J-18	1	415471804T
R6276	NF CARBON R	R25J-18	1	415471804T
R6277	NF CARBON R	R25J-18	1	415471804T
R6278	NF CARBON R	R25J-18	1	415471804T
R6280	NF CARBON R	R25J-18	1	415471804T
R6281	NF CARBON R	R25J-18	1	415471804T
R6282	NF CARBON R	R25J-18	1	415471804T
R6283	NF CARBON R	R25J-18	1	415471804T
R6284	NF CARBON R	R25J-18	1	415471804T
R6285	NF CARBON R	R25J-18	1	415471804T
R6286	NF CARBON R	R25J-18	1	415471804T
R6287	NF CARBON R	R25J-18	1	415471804T

R6288	NF CARBON R	R25J-18	1	415471804T
R6290	NF CARBON R	R25J-2.2	1	415470224T
R6291	NF CARBON R	R25J-2.2	1	415470224T
R6292	NF CARBON R	R25J-2.2	1	415470224T
R6293	NF CARBON R	R25J-2.2	1	415470224T
R6294	NF CARBON R	R25J-2.2	1	415470224T
R6295	NF CARBON R	R25J-2.2	1	415470224T
R6296	NF CARBON R	R25J-2.2	1	415470224T
R6297	NF CARBON R	R25J-2.2	1	415470224T
R6298	NF CARBON R	R25J-2.2	1	415470224T
R6300	NF CARBON R	R25J-2.2	1	415470224T
R6301	NF CARBON R	R25J-2.2	1	415470224T
R6302	NF CARBON R	R25J-2.2	1	415470224T
R6303	NF CARBON R	R25J-2.2	1	415470224T
R6304	NF CARBON R	R25J-2.2	1	415470224T
R6305	NF CARBON R	R25J-2.2	1	415470224T
R6306	NF CARBON R	R25J-2.2	1	415470224T
R6307	NF CARBON R	R25J-2.2	1	415470224T
R6308	NF CARBON R	R25J-2.2	1	415470224T
R6310	NF CARBON R	R25J-10	1	415471004T
R6311	NF CARBON R	R25J-10	1	415471004T
R6312	NF CARBON R	R25J-10	1	415471004T
R6313	NF CARBON R	R25J-10	1	415471004T
R6314	NF CARBON R	R25J-10	1	415471004T
R6315	NF CARBON R	R25J-10	1	415471004T
R6316	NF CARBON R	R25J-10	1	415471004T
R6317	NF CARBON R	R25J-10	1	415471004T
R6318	NF CARBON R	R25J-10	1	415471004T
[SW TRM]				
P5010A	SOCKET	NSCT-3P2183	1	25052286
P5011A	SOCKET	NSCT-3P2183	1	25052286
P5012A	SOCKET	NSCT-3P2183	1	25052286
P5013A	SOCKET	NSCT-3P2183	1	25052286
P5014A	SOCKET	NSCT-3P2183	1	25052286
P5015A	SOCKET	NSCT-3P2183	1	25052286
P5016A	SOCKET	NSCT-3P2183	1	25052286
P5017A	SOCKET	NSCT-3P2183	1	25052286
P5018A	SOCKET	NSCT-3P2183	1	25052286
P5020A	TRM	NTM-1P233(M1969)	1	25060302

P5021A	TRM	NTM-1P233(M1969)	1	25060302	
P5022A	TRM	NTM-1P233(M1969)	1	25060302	
P5023A	TRM	NTM-1P233(M1969)	1	25060302	
P5024A	TRM	NTM-1P233(M1969)	1	25060302	
P5025A	TRM	NTM-1P233(M1969)	1	25060302	
P5026A	TRM	NTM-1P233(M1969)	1	25060302	
P5027A	TRM	NTM-1P233(M1969)	1	25060302	
P5028A	TRM	NTM-1P233(M1969)	1	25060302	
P6010A	SOCKET	NSCT-3P2183	1	25052286	
P6011A	SOCKET	NSCT-3P2183	1	25052286	
P6012A	SOCKET	NSCT-3P2183	1	25052286	
P6013A	SOCKET	NSCT-3P2183	1	25052286	
P6014A	SOCKET	NSCT-3P2183	1	25052286	
P6015A	SOCKET	NSCT-3P2183	1	25052286	
P6016A	SOCKET	NSCT-3P2183	1	25052286	
P6017A	SOCKET	NSCT-3P2183	1	25052286	
P6018A	SOCKET	NSCT-3P2183	1	25052286	
P6030B	SOCKET	IMSA-9115S-05L	1	25052985	N
P6031B	SOCKET	IMSA-9115S-05L	1	25052985	N
P6032B	SOCKET	IMSA-9115S-05L	1	25052985	N
P6033B	SOCKET	IMSA-9115S-05L	1	25052985	N
P6034B	SOCKET	IMSA-9115S-05L	1	25052985	N
P6035B	SOCKET	IMSA-9115S-05L	1	25052985	N
P6036B	SOCKET	IMSA-9115S-05L	1	25052985	N
P6037B	SOCKET	IMSA-9115S-05L	1	25052985	N
P6038B	SOCKET	IMSA-9115S-05L	1	25052985	N

U004 U0041 1B234514-2A
U0041 PRIMARY POWER SUPPLY PCB AS BAPS-0217-2A 1B2345217-2A

CIRCUIT. NO.	PART NAME	DESCRIPTION	Q'TY	PART NO. (SN)	REMARKS
[SEMI CONDUCTOR]					
D9000	DIODE	1SS133	1	223163T	
D9001	DIODE	1SS133	1	223163T	
D9002	DIODE	1SS133	1	223163T	
D9003	DIODE	1SS133	1	223163T	
D9004	DIODE	1SS133	1	223163T	
D9005	DIODE	1SS133	1	223163T	
D9006	DIODE	1SS133	1	223163T	

D9007	ZENER D	MTZJ5.1B	1	224470512T	
D9008	DIODE	1SS133	1	223163T	
D9009	DIODE	1SS133	1	223163T	
D9010	DIODE	1SS133	1	223163T	
D9011	DIODE	1SS133	1	223163T	
D9100	DIODE	1SS133	1	223163T	
D9101	DIODE	1SS133	1	223163T	
D9200	DIODE	1SS133	1	223163T	
Q9100	TR	2SC1815-GR	1	2211255T	
Q9101	TR	2SC1815-GR	1	2211255T	
Q9200	TR	2SC1815-GR	1	2211255T	
[TRANS COIL]					
T9000	P TRANS	NPT-1520JQ	1	2301812A	<B MDC, B MJJ>
T9000	P TRANS	NPT-1520GQ	1	2301813A	<B MMP, MMR>
[CAPACITOR]					
C9000	TF C	ECQ-V50V-223J	1	374722234T	
C9001	VR C	CE04W16V-2200M(VR)	1	394642227S	<B MMP, MMR>
C9001	VR C	CE04W25V-2200M(VR)	1	394652227S	<B MDC, B MJJ>
C9002	UTSP C	CE04W50V-4.7M(UTSP)	1	397580477T	
C9008	VR C	CE04W16V-470M(VR)	1	394644717T	
C9108	PLA C	MKP R46 104M	1	3800041S	
C9115	TF C	ECQ-V50V-103J	1	374721034T	
C9116	TF C	ECQ-V50V-103J	1	374721034T	
C9119	TF C	ECQ-V50V-223J	1	374722234T	
C9201	TF C	ECQ-V50V-103J	1	374721034T	
[RESISTOR]					
R9005	CARBON R	R16J-27	1	417342704T	
R9100	THERMISTOR	M3R014C	1	4000148	
R9101	THERMISTOR	M3R014C	1	4000148	
R9102	THERMISTOR	M3R014C	1	4000148	
R9104	CARBON R	R16J-1K	1	417341024T	
R9105	CARBON R	R16J-100K	1	417341044T	
R9106	CARBON R	R16J-100	1	417341014T	<B MDC, B MJJ>
R9106	CARBON R	R16J-120	1	417341214T	<B MMP, MMR>
R9107	CARBON R	R16J-1K	1	417341024T	
R9108	CARBON R	R16J-100K	1	417341044T	
R9109	CARBON R	R16J-100	1	417341014T	<B MMP, MMR>
R9109	CARBON R	R16J-47	1	417344704T	<B MDC>
R9109	CARBON R	R16J-56	1	417345604T	<B MJJ>

R9200	CARBON R	R16J-1K	1	417341024T	
R9201	CARBON R	R16J-100K	1	417341044T	
R9202	CARBON R	R16J-100	1	417341014T	
[SW TRM]					
E9100	TRM-423(SCREW)	NEJITANSI ST3	1	25060495	
E9200A	TRM	NTM-1P233(M1969)	1	25060302	
F9100A	FUSE HOLDER	SN5051	1	250113	<B MDC, B MJJ>
F9100A	FUSE HOL	NSCT-1P2031	1	25052133T	<B MMP, MMR>
F9100B	FUSE HOLDER	SN5051	1	250113	<B MDC, B MJJ>
F9100B	FUSE HOL	NSCT-1P2031	1	25052133T	<B MMP, MMR>
JL901A	WIRE HOL	NSCT-7P878	1	25051091	
P9007	FASTON AS	FASTON_PAMC5500	1	1F999028UL	N
P9008A	PLUG	NPLG-2P631	1	25055675	
P9100	PLUG	NPLG-2P632	1	25055676	
P9200	PLUG	NPLG-2P632	1	25055676	
RL9100	RELAY	NRL-1P10A-DC9-186	1	25065683	
RL9101	RELAY	NRL-1P10A-DC9-186	1	25065683	
RL9102	RELAY	NRL-1P10A-DC9-186	1	25065683	<B MDC, B MJJ>
RL9200	RELAY	NRL-1P5A-DC9-179	1	25065669	
[ACCESSARY]					
F9100C	LABEL	T6.3AL/250V	1	29361681	<B MMP, MMR>

U005	U0050 ~ U0056			1B234500-1A	N
U0050	SPEAKER TERMINAL PCB AS	BATRM-0300-1A		1B2345300-1A	N
U0051	CONNECTOR PCB AS	BATRM-0301-1A		1B2345301-1A	N
U0052	DG POWER SUPPLY PCB AS	BAPS-0302-1A		1B2345302-1A	N
U0053	STANDBY LED PCB AS	BADIS-0303-1A		1B2345303-1A	N
U0054	STANDBY SW PCB AS	BASW-0304-1A		1B2345304-1A	N
U0055	HOLDER PCB AS	BAETC-0305-1A		1B2345305-1A	N
U0056	POWER SWITCH PCB AS	BASW-0306-1A		1B2345306-1A	N

CIRCUIT. NO.	PART NAME	DESCRIPTION	Q'TY	PART NO. (SN)	REMARKS
[SEMI CONDUCTOR]					
D6800	DIODE	1SS133	1	223163T	
D6801	DIODE	1SS133	1	223163T	
D6802	DIODE	1SS133	1	223163T	
D6803	DIODE	1SS133	1	223163T	
D6804	DIODE	1SS133	1	223163T	
D6805	DIODE	1SS133	1	223163T	

D6806	DIODE	ISS133	1	223163T
D6807	DIODE	ISS133	1	223163T
D6808	DIODE	ISS133	1	223163T
D7700	LED	SCB3318E-D2	1	225487
D7701	LED	SLI-343URC-TE7	1	225449T
D9300	DIODE	D10XB60H	1	22380337F
D9301	DIODE	ISS133	1	223163T
D9302	DIODE	ISS133	1	223163T
D9303	ZENER D	MTZJ5.1B	1	224470512T
D9400	DIODE	D3SBA20	1	22380271F
D9400 or	DIODE	D3SBA60	(1)	22380272F
D9410	DIODE	D3SBA20	1	22380271F
D9410 or	DIODE	D3SBA60	(1)	22380272F
D9421	ZENER D	MTZJ15B	1	224471502T
D9422	ZENER D	MTZJ15B	1	224471502T
Q6801	TR	2SC1815-GR	1	2211255T
Q6802	TR	2SC2235-Y(TPE6_F)	1	2211654T
Q6900	TR	2SC2235-Y(TPE6_F)	1	2211654T
Q6901	TR	2SC2235-Y(TPE6_F)	1	2211654T
Q7700	TR	DTC123JS	1	2213640T
Q9423	TR	2SC1815-GR	1	2211255T
Q9424	TR	2SA1015-GR	1	2211455T
Q9425	TR	2SK365-GR	1	2212445T
Q9426	TR	2SK365-GR	1	2212445T
Q9427	TR	2SB1565-E	1	2202715
Q9427 or	TR	2SA1488-Y	(1)	2203394
Q9428	TR	2SD2394-E	1	2202705
Q9428 or	TR	2SC3851-Y	(1)	2203384
[TRANS COIL]				
L6800	S COIL	SC-0.8X11.5X12.5T-6.5L	1	231393S
L6801	S COIL	SC-0.8X11.5X12.5T-6.5L	1	231393S
L6802	S COIL	SC-0.8X11.5X12.5T-6.5L	1	231393S
L6803	S COIL	SC-0.8X11.5X12.5T-6.5L	1	231393S
L6804	S COIL	SC-0.8X11.5X12.5T-6.5L	1	231393S
L6805	S COIL	SC-0.8X11.5X12.5T-6.5L	1	231393S
L6806	S COIL	SC-0.8X11.5X12.5T-6.5L	1	231393S
L6807	S COIL	SC-0.8X11.5X12.5T-6.5L	1	231393S
L6808	S COIL	SC-0.8X11.5X12.5T-6.5L	1	231393S
[CAPACITOR]				

C6800	TF C	ECQ-V50V-103J	1	374721034T
C6801	TF C	ECQ-V50V-103J	1	374721034T
C6802	TF C	ECQ-V50V-103J	1	374721034T
C6803	TF C	ECQ-V50V-103J	1	374721034T
C6804	TF C	ECQ-V50V-103J	1	374721034T
C6805	TF C	ECQ-V50V-103J	1	374721034T
C6806	TF C	ECQ-V50V-103J	1	374721034T
C6807	TF C	ECQ-V50V-103J	1	374721034T
C6808	TF C	ECQ-V50V-103J	1	374721034T
C6830	MKT C	B32529C0102J289	1	376491024T
C6831	MKT C	B32529C0102J289	1	376491024T
C6832	MKT C	B32529C0102J289	1	376491024T
C6833	MKT C	B32529C0102J289	1	376491024T
C6834	MKT C	B32529C0102J289	1	376491024T
C6835	MKT C	B32529C0102J289	1	376491024T
C6836	MKT C	B32529C0102J289	1	376491024T
C6837	MKT C	B32529C0102J289	1	376491024T
C6838	MKT C	B32529C0102J289	1	376491024T
C6850	TF C	ECQ-V50V-103J	1	374721034T
C6851	TF C	ECQ-V50V-103J	1	374721034T
C6852	TF C	ECQ-V50V-103J	1	374721034T
C6853	TF C	ECQ-V50V-103J	1	374721034T
C6854	TF C	ECQ-V50V-103J	1	374721034T
C6855	TF C	ECQ-V50V-103J	1	374721034T
C6856	TF C	ECQ-V50V-103J	1	374721034T
C6857	TF C	ECQ-V50V-103J	1	374721034T
C6858	TF C	ECQ-V50V-103J	1	374721034T
C6870	TF C	ECQ-V50V-473J	1	374724734T
C6871	TF C	ECQ-V50V-473J	1	374724734T
C6872	TF C	ECQ-V50V-473J	1	374724734T
C6873	TF C	ECQ-V50V-473J	1	374724734T
C6874	TF C	ECQ-V50V-473J	1	374724734T
C6875	TF C	ECQ-V50V-473J	1	374724734T
C6876	TF C	ECQ-V50V-473J	1	374724734T
C6877	TF C	ECQ-V50V-473J	1	374724734T
C6878	TF C	ECQ-V50V-473J	1	374724734T
C6900	VR C	CE04W16V-220M(VR)	1	394642217T
C6901	VR C	CE04W16V-220M(VR)	1	394642217T
C7018	TF C	ECQ-V50V-103J	1	374721034T

C9300	TF C	ECQ-V50V-334J	1	374723344T
C9301	VR C	CE04W16V-10000M(VR)	1	394641037S
C9302	VR C	CE04W50V-4.7M(VR)	1	394680477T
C9400	TF C	ECQ-V50V-223J	1	374722234T
C9403	ELECT C	CE04W25V-4700M	1	354754726
C9404	ELECT C	CE04W25V-4700M	1	354754726
C9410	TF C	ECQ-V50V-104J	1	374721044T
C9411	VR C	CE04W16V-4700M(VR)	1	394644727S
C9421	UTSP C	CE04W25V-100M(UTSP)	1	397551017T
C9422	UTSP C	CE04W25V-100M(UTSP)	1	397551017T
C9423	UTSP C	CE04W25V-100M(UTSP)	1	397551017T
C9424	UTSP C	CE04W25V-100M(UTSP)	1	397551017T
[RESISTOR]				
R6800	CARBON R	R16J-22	1	417342204T
R6801	CARBON R	R16J-22	1	417342204T
R6802	CARBON R	R16J-22	1	417342204T
R6803	CARBON R	R16J-22	1	417342204T
R6804	CARBON R	R16J-22	1	417342204T
R6805	CARBON R	R16J-22	1	417342204T
R6806	CARBON R	R16J-22	1	417342204T
R6807	CARBON R	R16J-22	1	417342204T
R6808	CARBON R	R16J-22	1	417342204T
R6810	CARBON R	R16J-22	1	417342204T
R6811	CARBON R	R16J-22	1	417342204T
R6812	CARBON R	R16J-22	1	417342204T
R6813	CARBON R	R16J-22	1	417342204T
R6814	CARBON R	R16J-22	1	417342204T
R6815	CARBON R	R16J-22	1	417342204T
R6816	CARBON R	R16J-22	1	417342204T
R6817	CARBON R	R16J-22	1	417342204T
R6818	CARBON R	R16J-22	1	417342204T
R6820	METAL R	RNU1WCJ-8.2	1	453630824T
R6821	METAL R	RNU1WCJ-8.2	1	453630824T
R6822	METAL R	RNU1WCJ-8.2	1	453630824T
R6823	METAL R	RNU1WCJ-8.2	1	453630824T
R6824	METAL R	RNU1WCJ-8.2	1	453630824T
R6825	METAL R	RNU1WCJ-8.2	1	453630824T
R6826	METAL R	RNU1WCJ-8.2	1	453630824T
R6827	METAL R	RNU1WCJ-8.2	1	453630824T

R6828	METAL R	RNU1WCJ-8.2	1	453630824T
R6900	METAL O R	RS1/2WBJ-330	1	443523314T
R6901	METAL O R	RS1/2WBJ-330	1	443523314T
R6902	CARBON R	R16J-10K	1	417341034T
R6903	CARBON R	R16J-2.2K	1	417342224T
R6904	CARBON R	R16J-10	1	417341004T
R7075	CARBON R	R16J-1K	1	417341024T
R7700	CARBON R	R16J-120	1	417341214T
R7701	CARBON R	R16J-1K	1	417341024T
R9300	CARBON R	R16J-5.6K	1	417345624T
R9410	METAL R	RNU1/2WCJ-0.22	1	453532294T
R9421	METAL O R	RS1WBJ-10	1	443621004T
R9422	METAL O R	RS1WBJ-10	1	443621004T
R9427	CARBON R	R16J-330	1	417343314T
R9428	CARBON R	R16J-330	1	417343314T
[SW TRM]				
E9200B	TRM	NTM-1P232(M1700)	1	25060301
F9301A	FUSE HOL	NSCT-1P2031	1	25052133T
F9301B	FUSE HOL	NSCT-1P2031	1	25052133T
F9401A	FUSE HOL	NSCT-1P2031	1	25052133T
F9401B	FUSE HOL	NSCT-1P2031	1	25052133T
F9402A	FUSE HOL	NSCT-1P2031	1	25052133T
F9402B	FUSE HOL	NSCT-1P2031	1	25052133T
JL6800A	WIRE HOL	NSCT-5P896	1	25051109
JL6800B	SOCKET	NSCT-5P97	1	25050269
JL6900B	SOCKET	NSCT-3P95	1	25050267
JL7002A	WIRE HOL	NSCT-5P896	1	25051109
JL7004A	WIRE HOL	NSCT-5P876	1	25051089
JL7007A	WIRE HOL	NSCT-3P874	1	25051087
JL7007B	WIRE TRAP	NPLG-3P586	1	25055624
JL901B	WIRE TRAP	NPLG-7P590	1	25055628
P5000B	PLUG	NPLG-10P357	1	25055374
P5001B	PLUG	NPLG-8P355	1	25055372
P6140H	PLUG	NPLG-9P156	1	25055172
P6240D	PLUG	NPLG-4P151	1	25055167
P6250E	PLUG	NPLG-5P152	1	25055168
P6800	TRM	NTM-2PDMCR399	1	25060471
P6801	TRM	NTM-2PDMCR399	1	25060471
P6802	TRM	NTM-2PDMCR399	1	25060471

P6803	TRM	NTM-2PDMCR399	1	25060471
P6804	TRM	NTM-2PDMCR399	1	25060471
P6805	TRM	NTM-2PDMCR399	1	25060471
P6806	TRM	NTM-2PDMCR399	1	25060471
P6807	TRM	NTM-2PDMCR399	1	25060471
P6808	TRM	NTM-2PDMCR399	1	25060471
P6902B	PLUG	NPLG-9P137	1	25055153
P7001A	PLUG	IMSA-9142B-8A	1	25056594
P7003B	SOCKET	IMSA-9142S-8A	1	25053226
P7700B	PLUG	NPLG-9P0964	1	25056014
P7701B	PLUG	NPLG-9P0964	1	25056014
P7702B	PLUG	NPLG-9P0964	1	25056014
P7703B	PLUG	NPLG-9P0964	1	25056014
P7704B	PLUG	NPLG-9P0964	1	25056014
P7705B	PLUG	NPLG-9P0964	1	25056014
P7706B	PLUG	NPLG-9P0964	1	25056014
P7707B	PLUG	NPLG-9P0964	1	25056014
P7708B	PLUG	NPLG-9P0964	1	25056014
P9008B	PLUG	NPLG-2P631	1	25055675
P9301A	PLUG	NPLG-6P120	1	25055136
P9404A	PLUG	NPLG-6P120	1	25055136
RL6800	RELAY	NRL-2P5A-DC12-192	1	25065702
RL6800 or	RELAY	NRL-2P3A-DC12-148	(1)	25065598A
RL6801	RELAY	NRL-2P5A-DC12-192	1	25065702
RL6801 or	RELAY	NRL-2P3A-DC12-148	(1)	25065598A
RL6802	RELAY	NRL-2P5A-DC12-192	1	25065702
RL6802 or	RELAY	NRL-2P3A-DC12-148	(1)	25065598A
RL6803	RELAY	NRL-2P5A-DC12-192	1	25065702
RL6803 or	RELAY	NRL-2P3A-DC12-148	(1)	25065598A
RL6804	RELAY	NRL-2P5A-DC12-192	1	25065702
RL6804 or	RELAY	NRL-2P3A-DC12-148	(1)	25065598A
RL6805	RELAY	NRL-2P5A-DC12-192	1	25065702
RL6805 or	RELAY	NRL-2P3A-DC12-148	(1)	25065598A
RL6806	RELAY	NRL-2P5A-DC12-192	1	25065702
RL6806 or	RELAY	NRL-2P3A-DC12-148	(1)	25065598A
RL6807	RELAY	NRL-2P5A-DC12-192	1	25065702
RL6807 or	RELAY	NRL-2P3A-DC12-148	(1)	25065598A
RL6808	RELAY	NRL-2P5A-DC12-192	1	25065702
RL6808 or	RELAY	NRL-2P3A-DC12-148	(1)	25065598A

S7700	PUSH SW	NPS-111-S681	1	25035718T
S7701	PUSH SW	NPS-111-S681	1	25035718T
S9000	P SW	NPS-111-L687P(TV-5)	1	25035724

U006	U00600 ~ U00611			1B234507-1A	N
U00600	CPU PCB AS	BADG-0307-1A		1B2345307-1A	N
U00601	HOLDER PCB AS	BAMEC-0308-1A		1B2345308-1A	N
U00602	INPUT TERMINAL PCB AS	BATRM-0310-1A		1B2345310-1A	N
U00603	INPUT TERMINAL PCB AS	BATRM-0311-1A		1B2345311-1A	N
U00604	INPUT TERMINAL PCB AS	BATRM-0312-1A		1B2345312-1A	N
U00605	INPUT TERMINAL PCB AS	BATRM-0313-1A		1B2345313-1A	N
U00606	INPUT TERMINAL PCB AS	BATRM-0314-1A		1B2345314-1A	N
U00607	INPUT TERMINAL PCB AS	BATRM-0315-1A		1B2345315-1A	N
U00608	INPUT TERMINAL PCB AS	BATRM-0316-1A		1B2345316-1A	N
U00609	INPUT TERMINAL PCB AS	BATRM-0317-1A		1B2345317-1A	N
U00610	INPUT TERMINAL PCB AS	BATRM-0318-1A		1B2345318-1A	N
U00611	AUTO POWER SAVE SW PCB AS	BATRM-0319-1A		1B2345319-1A	N

CIRCUIT. NO.	PART NAME	DESCRIPTION	Q'TY	PART NO. (SN)	REMARKS
[SEMI CONDUCTOR]					
D7001	C-DIODE	1SS352	1	223234R2	
D7002	C-DIODE	1SS352	1	223234R2	
D7004	C-DIODE	1SS352	1	223234R2	
D7005	C-DIODE	1SS352	1	223234R2	
D7006	ZENER D	UDZS5.1B	1	224550510R2	
D7010	C-DIODE	1SS352	1	223234R2	
D7011	ZENER D	UDZS5.1B	1	224550510R2	
D7500	C-DIODE	1SS355	1	223269R2	
D7501	C-DIODE	1SS355	1	223269R2	
D7502	C-DIODE	1SS355	1	223269R2	
D7503	C-DIODE	1SS355	1	223269R2	
D7504	C-DIODE	1SS355	1	223269R2	
D7505	C-DIODE	1SS355	1	223269R2	
D7506	C-DIODE	1SS355	1	223269R2	
D7507	C-DIODE	1SS355	1	223269R2	
D7508	C-DIODE	1SS355	1	223269R2	
Q7000	IC (Main CPU)	R5F212A7SNFA (03430)	1	222W0099R303430M	
Q7001	IC	XC6202P502FR	1	22242331R2	

Q7002	IC	BH33FB1WG-TR	1	22242585R2
Q7003	IC	S-812C33AUA-C2N	1	22242222R2
Q7004	TR	KRA102S	1	2216220R2
Q7005	TR	KRC104S	1	2216210R2
Q7006	IC	S-24CS16A0I-J8V1G	1	22242326R2
Q7007	IC	NJU7706F27A3	1	22242614R2
Q7008	PHT CP	PS2501AL-1	1	24120141R2
Q7500	IC	NE5532APSR	1	22242283R2
Q7501	IC	NE5532APSR	1	22242283R2
Q7502	IC	NE5532APSR	1	22242283R2
Q7503	IC	NE5532APSR	1	22242283R2
Q7504	IC	NE5532APSR	1	22242283R2
Q7505	IC	NE5532APSR	1	22242283R2
Q7506	IC	NE5532APSR	1	22242283R2
Q7507	IC	NE5532APSR	1	22242283R2
Q7508	IC	NE5532APSR	1	22242283R2
Q7510	TR	RN1441	1	2215410R2
Q7511	TR	RN1441	1	2215410R2
Q7512	TR	RN1441	1	2215410R2
Q7513	TR	RN1441	1	2215410R2
Q7514	TR	RN1441	1	2215410R2
Q7515	TR	RN1441	1	2215410R2
Q7516	TR	RN1441	1	2215410R2
Q7517	TR	RN1441	1	2215410R2
Q7518	TR	RN1441	1	2215410R2
[CAPACITOR]				
C7000	C-CERA C	CK725F1E-104Z1	1	332161040R1
C7001	C-CERA C	CK725F1E-104Z1	1	332161040R1
C7002	UTSP C	CE04W16V-470M(UTSP)	1	397544717T
C7003	C-CERA C	CK725F1E-104Z1	1	332161040R1
C7005	C-CERA C	CK725F1E-104Z1	1	332161040R1
C7006	VR C	CE04W16V-100M(VR)	1	394641017T
C7008	VR C	CE04W16V-100M(VR)	1	394641017T
C7009	UTSP C	CE04W50V-10M(UTSP)	1	397581007T
C7010	C-CERA C	CK725F1E-104Z1	1	332161040R1
C7011	VR C	CE04W16V-100M(VR)	1	394641017T
C7012	C-CERA C	CK725F1A-105Z1	1	332181050R1
C7013	C-CERA C	CK725F1A-105Z1	1	332181050R1
C7014	C-CERA C	CK725B1H-102K1	1	332101025R1

C7015	C-CERA C	CK725B1H-103K1	1	332101035R1
C7016	C-CERA C	CK725F1A-105Z1	1	332181050R1
C7017	VR C	CE04W16V-100M(VR)	1	394641017T
C7049	C-CERA C	CK725B1H-102K1	1	332101025R1
C7061	C-CERA C	CK725F1E-104Z1	1	332161040R1
C7062	C-CERA C	CK725F1E-104Z1	1	332161040R1
C7135	C-CERA C	CK725F1E-104Z1	1	332161040R1
C7136	C-CERA C	CK725F1E-104Z1	1	332161040R1
C7139	C-CERA C	CK725B1H-102K1	1	332101025R1
C7140	C-CERA C	CK725B1H-102K1	1	332101025R1
C7141	C-CERA C	CK725B1H-102K1	1	332101025R1
C7142	C-CERA C	CK725F1E-104Z1	1	332161040R1
C7500	UTSJ C	CE04W50V-47M(UTSJ)	1	398084707AT
C7501	UTSJ C	CE04W50V-47M(UTSJ)	1	398084707AT
C7502	UTSJ C	CE04W50V-47M(UTSJ)	1	398084707AT
C7503	UTSJ C	CE04W50V-47M(UTSJ)	1	398084707AT
C7504	UTSJ C	CE04W50V-47M(UTSJ)	1	398084707AT
C7505	UTSJ C	CE04W50V-47M(UTSJ)	1	398084707AT
C7506	UTSJ C	CE04W50V-47M(UTSJ)	1	398084707AT
C7507	UTSJ C	CE04W50V-47M(UTSJ)	1	398084707AT
C7508	UTSJ C	CE04W50V-47M(UTSJ)	1	398084707AT
C7510	UTSJ C	CE04W50V-47M(UTSJ)	1	398084707AT
C7511	UTSJ C	CE04W50V-47M(UTSJ)	1	398084707AT
C7512	UTSJ C	CE04W50V-47M(UTSJ)	1	398084707AT
C7513	UTSJ C	CE04W50V-47M(UTSJ)	1	398084707AT
C7514	UTSJ C	CE04W50V-47M(UTSJ)	1	398084707AT
C7515	UTSJ C	CE04W50V-47M(UTSJ)	1	398084707AT
C7516	UTSJ C	CE04W50V-47M(UTSJ)	1	398084707AT
C7517	UTSJ C	CE04W50V-47M(UTSJ)	1	398084707AT
C7518	UTSJ C	CE04W50V-47M(UTSJ)	1	398084707AT
C7530	C-CERA C	CC725CH1H-221J1	1	342102214R1
C7531	C-CERA C	CC725CH1H-221J1	1	342102214R1
C7532	C-CERA C	CC725CH1H-221J1	1	342102214R1
C7533	C-CERA C	CC725CH1H-221J1	1	342102214R1
C7534	C-CERA C	CC725CH1H-221J1	1	342102214R1
C7535	C-CERA C	CC725CH1H-221J1	1	342102214R1
C7536	C-CERA C	CC725CH1H-221J1	1	342102214R1
C7537	C-CERA C	CC725CH1H-221J1	1	342102214R1
C7538	C-CERA C	CC725CH1H-221J1	1	342102214R1

C7540	UTSJ C	CE04W25V-220M(UTSJ)	1	398052217AT
C7541	UTSJ C	CE04W25V-220M(UTSJ)	1	398052217AT
C7542	UTSJ C	CE04W25V-220M(UTSJ)	1	398052217AT
C7543	UTSJ C	CE04W25V-220M(UTSJ)	1	398052217AT
C7544	UTSJ C	CE04W25V-220M(UTSJ)	1	398052217AT
C7545	UTSJ C	CE04W25V-220M(UTSJ)	1	398052217AT
C7546	UTSJ C	CE04W25V-220M(UTSJ)	1	398052217AT
C7547	UTSJ C	CE04W25V-220M(UTSJ)	1	398052217AT
C7548	UTSJ C	CE04W25V-220M(UTSJ)	1	398052217AT
C7550	UTSJ C	CE04W25V-220M(UTSJ)	1	398052217AT
C7551	UTSJ C	CE04W25V-220M(UTSJ)	1	398052217AT
C7552	UTSJ C	CE04W25V-220M(UTSJ)	1	398052217AT
C7553	UTSJ C	CE04W25V-220M(UTSJ)	1	398052217AT
C7554	UTSJ C	CE04W25V-220M(UTSJ)	1	398052217AT
C7555	UTSJ C	CE04W25V-220M(UTSJ)	1	398052217AT
C7556	UTSJ C	CE04W25V-220M(UTSJ)	1	398052217AT
C7557	UTSJ C	CE04W25V-220M(UTSJ)	1	398052217AT
C7558	UTSJ C	CE04W25V-220M(UTSJ)	1	398052217AT
C7560	UTSJ C	CE04W50V-47M(UTSJ)	1	398084707AT
C7561	UTSJ C	CE04W50V-47M(UTSJ)	1	398084707AT
C7562	UTSJ C	CE04W50V-47M(UTSJ)	1	398084707AT
C7563	UTSJ C	CE04W50V-47M(UTSJ)	1	398084707AT
C7564	UTSJ C	CE04W50V-47M(UTSJ)	1	398084707AT
C7565	UTSJ C	CE04W50V-47M(UTSJ)	1	398084707AT
C7566	UTSJ C	CE04W50V-47M(UTSJ)	1	398084707AT
C7567	UTSJ C	CE04W50V-47M(UTSJ)	1	398084707AT
C7568	UTSJ C	CE04W50V-47M(UTSJ)	1	398084707AT
C7580	C-CERA C	CC725CH1H-102J1	1	342101024R1
C7581	C-CERA C	CC725CH1H-102J1	1	342101024R1
C7582	C-CERA C	CC725CH1H-102J1	1	342101024R1
C7583	C-CERA C	CC725CH1H-102J1	1	342101024R1
C7584	C-CERA C	CC725CH1H-102J1	1	342101024R1
C7585	C-CERA C	CC725CH1H-102J1	1	342101024R1
C7586	C-CERA C	CC725CH1H-102J1	1	342101024R1
C7587	C-CERA C	CC725CH1H-102J1	1	342101024R1
C7588	C-CERA C	CC725CH1H-102J1	1	342101024R1
C7590	C-CERA C	CC725CH1H-102J1	1	342101024R1
C7591	C-CERA C	CC725CH1H-102J1	1	342101024R1
C7592	C-CERA C	CC725CH1H-102J1	1	342101024R1

C7593	C-CERA C	CC725CH1H-102J1	1	342101024R1
C7594	C-CERA C	CC725CH1H-102J1	1	342101024R1
C7595	C-CERA C	CC725CH1H-102J1	1	342101024R1
C7596	C-CERA C	CC725CH1H-102J1	1	342101024R1
C7597	C-CERA C	CC725CH1H-102J1	1	342101024R1
C7598	C-CERA C	CC725CH1H-102J1	1	342101024R1
C7600	C-CERA C	CC725CH1H-471J1	1	342104714R1
C7601	C-CERA C	CC725CH1H-471J1	1	342104714R1
C7602	C-CERA C	CC725CH1H-471J1	1	342104714R1
C7603	C-CERA C	CC725CH1H-471J1	1	342104714R1
C7604	C-CERA C	CC725CH1H-471J1	1	342104714R1
C7605	C-CERA C	CC725CH1H-471J1	1	342104714R1
C7606	C-CERA C	CC725CH1H-471J1	1	342104714R1
C7607	C-CERA C	CC725CH1H-471J1	1	342104714R1
C7608	C-CERA C	CC725CH1H-471J1	1	342104714R1
C7610	C-CERA C	CC725CH1H-471J1	1	342104714R1
C7611	C-CERA C	CC725CH1H-471J1	1	342104714R1
C7612	C-CERA C	CC725CH1H-471J1	1	342104714R1
C7613	C-CERA C	CC725CH1H-471J1	1	342104714R1
C7614	C-CERA C	CC725CH1H-471J1	1	342104714R1
C7615	C-CERA C	CC725CH1H-471J1	1	342104714R1
C7616	C-CERA C	CC725CH1H-471J1	1	342104714R1
C7617	C-CERA C	CC725CH1H-471J1	1	342104714R1
C7618	C-CERA C	CC725CH1H-471J1	1	342104714R1
C7620	UTSP C	CE04W50V 47M(UTSP)	1	397584707T
C7621	UTSP C	CE04W50V 47M(UTSP)	1	397584707T
C7622	UTSP C	CE04W50V 47M(UTSP)	1	397584707T
C7623	UTSP C	CE04W50V 47M(UTSP)	1	397584707T
C7624	UTSP C	CE04W50V 47M(UTSP)	1	397584707T
C7625	UTSP C	CE04W50V 47M(UTSP)	1	397584707T
C7626	UTSP C	CE04W50V 47M(UTSP)	1	397584707T
C7627	UTSP C	CE04W50V 47M(UTSP)	1	397584707T
C7628	UTSP C	CE04W50V 47M(UTSP)	1	397584707T
C7630	TF C	ECQ-V50V-224J	1	374722244T
C7631	TF C	ECQ-V50V-224J	1	374722244T
C7632	TF C	ECQ-V50V-224J	1	374722244T
C7633	TF C	ECQ-V50V-224J	1	374722244T
C7634	TF C	ECQ-V50V-224J	1	374722244T
C7635	TF C	ECQ-V50V-224J	1	374722244T

C7636	TF C	ECQ-V50V-224J	1	374722244T
C7637	TF C	ECQ-V50V-224J	1	374722244T
C7638	TF C	ECQ-V50V-224J	1	374722244T
X7000	CERA LOCK	CR06000-TG-A0R	1	3010433T
X7000 or	CERA LOCK	CSTLS6M00G-56-A0	(1)	3010427T
[RESISTOR]				
R7003	C-CARBON R	RN72K1J-470JE	1	435034704R1
R7004	C-CARBON R	RN72K1J-473JE	1	435034734R1
R7005	C-CARBON R	RN72K1J-473JE	1	435034734R1
R7012	C-CARBON R	RN72K1J-470JE	1	435034704R1
R7013	C-CARBON R	RN72K1J-470JE	1	435034704R1
R7014	C-CARBON R	RN72K1J-470JE	1	435034704R1
R7016	C-CARBON R	RN72K1J-471JE	1	435034714R1
R7017	C-CARBON R	RN72K1J-470JE	1	435034704R1
R7019	C-CARBON R	RN72K1J-470JE	1	435034704R1
R7020	C-CARBON R	RN72K1J-470JE	1	435034704R1
R7021	C-CARBON R	RN72K1J-470JE	1	435034704R1
R7024	C-CARBON R	RN72K1J-221JE	1	435032214R1
R7026	C-CARBON R	RN72K1J-470JE	1	435034704R1
R7027	C-CARBON R	RN72K1J-000JE	1	435030004R1
R7029	C-CARBON R	RN72K1J-000JE	1	435030004R1
R7030	C-CARBON R	RN72K1J-000JE	1	435030004R1
R7035	C-CARBON R	RN72K1J-470JE	1	435034704R1
R7036	C-CARBON R	RN72K1J-470JE	1	435034704R1
R7037	C-CARBON R	RN72K1J-470JE	1	435034704R1
R7038	C-CARBON R	RN72K1J-470JE	1	435034704R1
R7039	C-CARBON R	RN72K1J-472JE	1	435034724R1
R7040	C-CARBON R	RN72K1J-472JE	1	435034724R1
R7042	C-CARBON R	RN72K1J-470JE	1	435034704R1
R7043	C-CARBON R	RN72K1J-470JE	1	435034704R1
R7044	C-CARBON R	RN72K1J-221JE	1	435032214R1
R7045	C-CARBON R	RN72K1J-221JE	1	435032214R1
R7049	C-CARBON R	RN72K1J-221JE	1	435032214R1
R7050	C-CARBON R	RN72K1J-221JE	1	435032214R1
R7051	C-CARBON R	RN72K1J-221JE	1	435032214R1
R7052	C-CARBON R	RN72K1J-221JE	1	435032214R1
R7053	C-CARBON R	RN72K1J-221JE	1	435032214R1
R7054	C-CARBON R	RN72K1J-221JE	1	435032214R1
R7058	C-CARBON R	RN72K1J-472JE	1	435034724R1

R7066	C-CARBON R	RN72K1J-473JE	1	435034734R1
R7067	C-CARBON R	RN72K1J-102JE	1	435031024R1
R7068	METAL R	RNU1/2WCJ-8.2	1	453530824T
R7069	METAL R	RNU1/2WCJ-8.2	1	453530824T
R7070	C-CARBON R	RN72K1J-222JE	1	435032224R1
R7071	C-CARBON R	RN72K1J-222JE	1	435032224R1
R7073	C-CARBON R	RN72K1J-222JE	1	435032224R1
R7074	C-CARBON R	RN72K1J-102JE	1	435031024R1
R7103	C-CARBON R	RN72K1J-103JE	1	435031034R1
R7112	METAL R	RNU1/2WCJ-8.2	1	453530824T
R7113	METAL R	RNU1/2WCJ-8.2	1	453530824T
R7124	C-CARBON R	RN72K1J-152JE	1	435031524R1
R7125	C-CARBON R	RN72K1J-103JE	1	435031034R1
R7126	C-CARBON R	RN72K1J-103JE	1	435031034R1
R7135	C-CARBON R	RN72K1J-103JE	1	435031034R1
R7136	C-CARBON R	RN72K1J-103JE	1	435031034R1
R7138	C-CARBON R	RN72K1J-103JE	1	435031034R1
R7139	C-CARBON R	RN72K1J-272JE	1	435032724R1
R7140	C-CARBON R	RN72K1J-272JE	1	435032724R1
R7149	C-CARBON R	RN72K1J-103JE	1	435031034R1
R7150	C-CARBON R	RN72K1J-224JE	1	435032244R1
R7151	C-CARBON R	RN72K1J-224JE	1	435032244R1
R7152	C-CARBON R	RN72K1J-103JE	1	435031034R1
R7153	C-CARBON R	RN72K1J-103JE	1	435031034R1
R7154	C-CARBON R	RN72K1J-103JE	1	435031034R1
R7235	C-CARBON R	RN72K1J-224JE	1	435032244R1
R7236	C-CARBON R	RN72K1J-224JE	1	435032244R1
R7500	METAL O R	RS1/2WBJ-100	1	443521014T
R7501	METAL O R	RS1/2WBJ-100	1	443521014T
R7502	METAL O R	RS1/2WBJ-100	1	443521014T
R7503	METAL O R	RS1/2WBJ-100	1	443521014T
R7504	METAL O R	RS1/2WBJ-100	1	443521014T
R7505	METAL O R	RS1/2WBJ-100	1	443521014T
R7506	METAL O R	RS1/2WBJ-100	1	443521014T
R7507	METAL O R	RS1/2WBJ-100	1	443521014T
R7508	METAL O R	RS1/2WBJ-100	1	443521014T
R7510	METAL O R	RS1/2WBJ-100	1	443521014T
R7511	METAL O R	RS1/2WBJ-100	1	443521014T
R7512	METAL O R	RS1/2WBJ-100	1	443521014T

R7513	METAL O R	RS1/2WBJ-100	1	443521014T
R7514	METAL O R	RS1/2WBJ-100	1	443521014T
R7515	METAL O R	RS1/2WBJ-100	1	443521014T
R7516	METAL O R	RS1/2WBJ-100	1	443521014T
R7517	METAL O R	RS1/2WBJ-100	1	443521014T
R7518	METAL O R	RS1/2WBJ-100	1	443521014T
R7520	C-CARBON R	RN72K1J-331JE	1	435033314R1
R7521	C-CARBON R	RN72K1J-331JE	1	435033314R1
R7522	C-CARBON R	RN72K1J-331JE	1	435033314R1
R7523	C-CARBON R	RN72K1J-331JE	1	435033314R1
R7524	C-CARBON R	RN72K1J-331JE	1	435033314R1
R7525	C-CARBON R	RN72K1J-331JE	1	435033314R1
R7526	C-CARBON R	RN72K1J-331JE	1	435033314R1
R7527	C-CARBON R	RN72K1J-331JE	1	435033314R1
R7528	C-CARBON R	RN72K1J-331JE	1	435033314R1
R7530	C-CARBON R	RN72K1J-334JE	1	435033344R1
R7531	C-CARBON R	RN72K1J-334JE	1	435033344R1
R7532	C-CARBON R	RN72K1J-334JE	1	435033344R1
R7533	C-CARBON R	RN72K1J-334JE	1	435033344R1
R7534	C-CARBON R	RN72K1J-334JE	1	435033344R1
R7535	C-CARBON R	RN72K1J-334JE	1	435033344R1
R7536	C-CARBON R	RN72K1J-334JE	1	435033344R1
R7537	C-CARBON R	RN72K1J-334JE	1	435033344R1
R7538	C-CARBON R	RN72K1J-334JE	1	435033344R1
R7540	C-CARBON R	RN72K1J-474JE	1	435034744R1
R7541	C-CARBON R	RN72K1J-474JE	1	435034744R1
R7542	C-CARBON R	RN72K1J-474JE	1	435034744R1
R7543	C-CARBON R	RN72K1J-474JE	1	435034744R1
R7544	C-CARBON R	RN72K1J-474JE	1	435034744R1
R7545	C-CARBON R	RN72K1J-474JE	1	435034744R1
R7546	C-CARBON R	RN72K1J-474JE	1	435034744R1
R7547	C-CARBON R	RN72K1J-474JE	1	435034744R1
R7548	C-CARBON R	RN72K1J-474JE	1	435034744R1
R7550	C-CARBON R	RN72K1J-474JE	1	435034744R1
R7551	C-CARBON R	RN72K1J-474JE	1	435034744R1
R7552	C-CARBON R	RN72K1J-474JE	1	435034744R1
R7553	C-CARBON R	RN72K1J-474JE	1	435034744R1
R7554	C-CARBON R	RN72K1J-474JE	1	435034744R1
R7555	C-CARBON R	RN72K1J-474JE	1	435034744R1

R7556	C-CARBON R	RN72K1J-474JE	1	435034744R1
R7557	C-CARBON R	RN72K1J-474JE	1	435034744R1
R7558	C-CARBON R	RN72K1J-474JE	1	435034744R1
R7560	C-CARBON R	RN72K1J-103JE	1	435031034R1
R7561	C-CARBON R	RN72K1J-103JE	1	435031034R1
R7562	C-CARBON R	RN72K1J-103JE	1	435031034R1
R7563	C-CARBON R	RN72K1J-103JE	1	435031034R1
R7564	C-CARBON R	RN72K1J-103JE	1	435031034R1
R7565	C-CARBON R	RN72K1J-103JE	1	435031034R1
R7566	C-CARBON R	RN72K1J-103JE	1	435031034R1
R7567	C-CARBON R	RN72K1J-103JE	1	435031034R1
R7568	C-CARBON R	RN72K1J-103JE	1	435031034R1
R7570	C-CARBON R	RN72K1J-103JE	1	435031034R1
R7571	C-CARBON R	RN72K1J-103JE	1	435031034R1
R7572	C-CARBON R	RN72K1J-103JE	1	435031034R1
R7573	C-CARBON R	RN72K1J-103JE	1	435031034R1
R7574	C-CARBON R	RN72K1J-103JE	1	435031034R1
R7575	C-CARBON R	RN72K1J-103JE	1	435031034R1
R7576	C-CARBON R	RN72K1J-103JE	1	435031034R1
R7577	C-CARBON R	RN72K1J-103JE	1	435031034R1
R7578	C-CARBON R	RN72K1J-103JE	1	435031034R1
R7580	C-CARBON R	RN72K1J-103JE	1	435031034R1
R7581	C-CARBON R	RN72K1J-103JE	1	435031034R1
R7582	C-CARBON R	RN72K1J-103JE	1	435031034R1
R7583	C-CARBON R	RN72K1J-103JE	1	435031034R1
R7584	C-CARBON R	RN72K1J-103JE	1	435031034R1
R7585	C-CARBON R	RN72K1J-103JE	1	435031034R1
R7586	C-CARBON R	RN72K1J-103JE	1	435031034R1
R7587	C-CARBON R	RN72K1J-103JE	1	435031034R1
R7588	C-CARBON R	RN72K1J-103JE	1	435031034R1
R7590	C-CARBON R	RN72K1J-103JE	1	435031034R1
R7591	C-CARBON R	RN72K1J-103JE	1	435031034R1
R7592	C-CARBON R	RN72K1J-103JE	1	435031034R1
R7593	C-CARBON R	RN72K1J-103JE	1	435031034R1
R7594	C-CARBON R	RN72K1J-103JE	1	435031034R1
R7595	C-CARBON R	RN72K1J-103JE	1	435031034R1
R7596	C-CARBON R	RN72K1J-103JE	1	435031034R1
R7597	C-CARBON R	RN72K1J-103JE	1	435031034R1
R7598	C-CARBON R	RN72K1J-103JE	1	435031034R1

R7600	C-CARBON R	RN72K1J-103JE	1	435031034R1
R7601	C-CARBON R	RN72K1J-103JE	1	435031034R1
R7602	C-CARBON R	RN72K1J-103JE	1	435031034R1
R7603	C-CARBON R	RN72K1J-103JE	1	435031034R1
R7604	C-CARBON R	RN72K1J-103JE	1	435031034R1
R7605	C-CARBON R	RN72K1J-103JE	1	435031034R1
R7606	C-CARBON R	RN72K1J-103JE	1	435031034R1
R7607	C-CARBON R	RN72K1J-103JE	1	435031034R1
R7608	C-CARBON R	RN72K1J-103JE	1	435031034R1
R7620	C-CARBON R	RN72K1J-474JE	1	435034744R1
R7621	C-CARBON R	RN72K1J-474JE	1	435034744R1
R7622	C-CARBON R	RN72K1J-474JE	1	435034744R1
R7623	C-CARBON R	RN72K1J-474JE	1	435034744R1
R7624	C-CARBON R	RN72K1J-474JE	1	435034744R1
R7625	C-CARBON R	RN72K1J-474JE	1	435034744R1
R7626	C-CARBON R	RN72K1J-474JE	1	435034744R1
R7627	C-CARBON R	RN72K1J-474JE	1	435034744R1
R7628	C-CARBON R	RN72K1J-474JE	1	435034744R1
R7640	C-CARBON R	RN72K1J-103JE	1	435031034R1
R7641	C-CARBON R	RN72K1J-103JE	1	435031034R1
R7642	C-CARBON R	RN72K1J-103JE	1	435031034R1
R7643	C-CARBON R	RN72K1J-103JE	1	435031034R1
R7644	C-CARBON R	RN72K1J-103JE	1	435031034R1
R7645	C-CARBON R	RN72K1J-103JE	1	435031034R1
R7646	C-CARBON R	RN72K1J-103JE	1	435031034R1
R7647	C-CARBON R	RN72K1J-103JE	1	435031034R1
R7648	C-CARBON R	RN72K1J-103JE	1	435031034R1
R7650	C-CARBON R	RN72K1J-334JE	1	435033344R1
R7651	C-CARBON R	RN72K1J-334JE	1	435033344R1
R7652	C-CARBON R	RN72K1J-334JE	1	435033344R1
R7653	C-CARBON R	RN72K1J-334JE	1	435033344R1
R7654	C-CARBON R	RN72K1J-334JE	1	435033344R1
R7655	C-CARBON R	RN72K1J-334JE	1	435033344R1
R7656	C-CARBON R	RN72K1J-334JE	1	435033344R1
R7657	C-CARBON R	RN72K1J-334JE	1	435033344R1
R7658	C-CARBON R	RN72K1J-334JE	1	435033344R1
R7660	C-CARBON R	RN72K1J-101JE	1	435031014R1
R7661	C-CARBON R	RN72K1J-101JE	1	435031014R1
R7662	C-CARBON R	RN72K1J-101JE	1	435031014R1

R7663	C-CARBON R	RN72K1J-101JE	1	435031014R1
R7664	C-CARBON R	RN72K1J-101JE	1	435031014R1
R7665	C-CARBON R	RN72K1J-101JE	1	435031014R1
R7666	C-CARBON R	RN72K1J-101JE	1	435031014R1
R7667	C-CARBON R	RN72K1J-101JE	1	435031014R1
R7668	C-CARBON R	RN72K1J-101JE	1	435031014R1
R7670	C-CARBON R	RN72K1J-224JE	1	435032244R1
R7671	C-CARBON R	RN72K1J-224JE	1	435032244R1
R7672	C-CARBON R	RN72K1J-224JE	1	435032244R1
R7673	C-CARBON R	RN72K1J-224JE	1	435032244R1
R7674	C-CARBON R	RN72K1J-224JE	1	435032244R1
R7675	C-CARBON R	RN72K1J-224JE	1	435032244R1
R7676	C-CARBON R	RN72K1J-224JE	1	435032244R1
R7677	C-CARBON R	RN72K1J-224JE	1	435032244R1
R7678	C-CARBON R	RN72K1J-224JE	1	435032244R1
R7680	C-CARBON R	RN72K1J-000JE	1	435030004R1
R7681	C-CARBON R	RN72K1J-000JE	1	435030004R1
R7682	C-CARBON R	RN72K1J-000JE	1	435030004R1
R7683	C-CARBON R	RN72K1J-000JE	1	435030004R1
R7684	C-CARBON R	RN72K1J-000JE	1	435030004R1
R7685	C-CARBON R	RN72K1J-000JE	1	435030004R1
R7686	C-CARBON R	RN72K1J-000JE	1	435030004R1
R7687	C-CARBON R	RN72K1J-000JE	1	435030004R1
R7688	C-CARBON R	RN72K1J-000JE	1	435030004R1
R7690	C-CARBON R	RN72K1J-331JE	1	435033314R1
R7691	C-CARBON R	RN72K1J-331JE	1	435033314R1
R7692	C-CARBON R	RN72K1J-331JE	1	435033314R1
R7693	C-CARBON R	RN72K1J-331JE	1	435033314R1
R7694	C-CARBON R	RN72K1J-331JE	1	435033314R1
R7695	C-CARBON R	RN72K1J-331JE	1	435033314R1
R7696	C-CARBON R	RN72K1J-331JE	1	435033314R1
R7697	C-CARBON R	RN72K1J-331JE	1	435033314R1
R7698	C-CARBON R	RN72K1J-331JE	1	435033314R1
R7700	C-CARBON R	RN72K1J-331JE	1	435033314R1
R7701	C-CARBON R	RN72K1J-331JE	1	435033314R1
R7702	C-CARBON R	RN72K1J-331JE	1	435033314R1
R7703	C-CARBON R	RN72K1J-331JE	1	435033314R1
R7704	C-CARBON R	RN72K1J-331JE	1	435033314R1
R7705	C-CARBON R	RN72K1J-331JE	1	435033314R1

R7706	C-CARBON R	RN72K1J-331JE	1	435033314R1	
R7707	C-CARBON R	RN72K1J-331JE	1	435033314R1	
R7708	C-CARBON R	RN72K1J-331JE	1	435033314R1	
R7710	C-CARBON R	RN72K1J-152JE	1	435031524R1	
R7711	C-CARBON R	RN72K1J-152JE	1	435031524R1	
R7712	C-CARBON R	RN72K1J-152JE	1	435031524R1	
R7713	C-CARBON R	RN72K1J-152JE	1	435031524R1	
R7714	C-CARBON R	RN72K1J-152JE	1	435031524R1	
R7715	C-CARBON R	RN72K1J-152JE	1	435031524R1	
R7716	C-CARBON R	RN72K1J-152JE	1	435031524R1	
R7717	C-CARBON R	RN72K1J-152JE	1	435031524R1	
R7718	C-CARBON R	RN72K1J-152JE	1	435031524R1	
[SW TRM]					
E7000	TRM-423(SCREW)	NEJITANSI ST3	1	25060495	
E7001	TRM-423(SCREW)	NEJITANSI ST3	1	25060495	
E7700	TRM	NTM-1P233(M1969)	1	25060302	
E7701	TRM	NTM-1P233(M1969)	1	25060302	
E7702	TRM	NTM-1P233(M1969)	1	25060302	
E7703	TRM	NTM-1P233(M1969)	1	25060302	
E7704	TRM	NTM-1P233(M1969)	1	25060302	
E7705	TRM	NTM-1P233(M1969)	1	25060302	
E7706	TRM	NTM-1P233(M1969)	1	25060302	
E7707	TRM	NTM-1P233(M1969)	1	25060302	
E7708	TRM	NTM-1P233(M1969)	1	25060302	
E9200	TRM	NTM-1P232(M1700)	1	25060301	
E9300	TRM-423(SCREW)	NEJITANSI ST3	1	25060495	
JL7002B	SOCKET	NSCT-5P97	1	25050269	
JL7004B	WIRE TRAP	NPLG-5P588	1	25055626	
P5002B	CRIMP AS	CRIMP_PAMC5500	1	20799180UL	N
P7000	ST JACK	MSJ-035-22	1	25045887	
P7000 or	JACK	YKB21-5130	(1)	25045387	
P7001B	SOCKET	IMSA-9142S-8A	1	25053226	
P7003A	PLUG	IMSA-9142B-8A	1	25056594	
P7005B	SOCKET	IMSA-9618S-09A	1	25053334R2	
P7006A	PLUG	IMSA-9142B-8A	1	25056594	
P7006B	SOCKET	IMSA-9142S-8A	1	25053226	
P7007	TRM-423(SCREW)	NEJITANSI ST3	1	25060495	
P7008	TRM-423(SCREW)	NEJITANSI ST3	1	25060495	
P7010	TRM	NTM-1P233(M1969)	1	25060302	

P7210B	PLUG	NPLG-11P358	1	25055375	
P7500	SOCKET	NSCT-3P2649	1	25052753	
P7501	SOCKET	NSCT-3P2649	1	25052753	
P7502	SOCKET	NSCT-3P2649	1	25052753	
P7503	SOCKET	NSCT-3P2649	1	25052753	
P7504	SOCKET	NSCT-3P2649	1	25052753	
P7505	SOCKET	NSCT-3P2649	1	25052753	
P7506	SOCKET	NSCT-3P2649	1	25052753	
P7507	SOCKET	NSCT-3P2649	1	25052753	
P7508	SOCKET	NSCT-3P2649	1	25052753	
P7510	PIN JACK	NPJ-1PDB707	1	25045941	N
P7511	PIN JACK	NPJ-1PDB707	1	25045941	N
P7512	PIN JACK	NPJ-1PDB707	1	25045941	N
P7513	PIN JACK	NPJ-1PDB707	1	25045941	N
P7514	PIN JACK	NPJ-1PDB707	1	25045941	N
P7515	PIN JACK	NPJ-1PDB707	1	25045941	N
P7516	PIN JACK	NPJ-1PDB707	1	25045941	N
P7517	PIN JACK	NPJ-1PDB707	1	25045941	N
P7518	PIN JACK	NPJ-1PDB707	1	25045941	N
P7700A	SOCKET	NSCT-9P2189	1	25052292	
P7701A	SOCKET	NSCT-9P2189	1	25052292	
P7702A	SOCKET	NSCT-9P2189	1	25052292	
P7703A	SOCKET	NSCT-9P2189	1	25052292	
P7704A	SOCKET	NSCT-9P2189	1	25052292	
P7705A	SOCKET	NSCT-9P2189	1	25052292	
P7706A	SOCKET	NSCT-9P2189	1	25052292	
P7707A	SOCKET	NSCT-9P2189	1	25052292	
P7708A	SOCKET	NSCT-9P2189	1	25052292	
RL7500	RELAY	NRL-2P2A-DC12-178	1	25065664	
RL7501	RELAY	NRL-2P2A-DC12-178	1	25065664	
RL7502	RELAY	NRL-2P2A-DC12-178	1	25065664	
RL7503	RELAY	NRL-2P2A-DC12-178	1	25065664	
RL7504	RELAY	NRL-2P2A-DC12-178	1	25065664	
RL7505	RELAY	NRL-2P2A-DC12-178	1	25065664	
RL7506	RELAY	NRL-2P2A-DC12-178	1	25065664	
RL7507	RELAY	NRL-2P2A-DC12-178	1	25065664	
RL7508	RELAY	NRL-2P2A-DC12-178	1	25065664	
SW7000	LEVER SW	NLS1121026L072	1	25040099	N
SW7001	LEVER SW	NLS1121026L072	1	25040099	N

SW7500	LEVER SW	NLS1121026L072	1	25040099	N
SW7501	LEVER SW	NLS1121026L072	1	25040099	N
SW7502	LEVER SW	NLS1121026L072	1	25040099	N
SW7503	LEVER SW	NLS1121026L072	1	25040099	N
SW7504	LEVER SW	NLS1121026L072	1	25040099	N
SW7505	LEVER SW	NLS1121026L072	1	25040099	N
SW7506	LEVER SW	NLS1121026L072	1	25040099	N
SW7507	LEVER SW	NLS1121026L072	1	25040099	N
SW7508	LEVER SW	NLS1121026L072	1	25040099	N

ONKYO CORPORATION

Service Dept. Technical Support : 2-1, Nisshin-cho, Neyagawa-shi, OSAKA 572-8540, JAPAN
Tel: 072-831-8023 Fax: 072-831-8163

ONKYO U.S.A. CORPORATION

18 Park Way, Upper Saddle River, N.J. 07458, U.S.A.
Tel: 800-229-1687, 201-785-2600 Fax: 201-785-2650 <http://www.us.onkyo.com/>

ONKYO EUROPE ELECTRONICS GmbH

Liegnitzerstrasse 6, 82194 Groebenzell, GERMANY
Tel: +49-8142-4401-0 Fax: +49-8142-4401-555 <http://www.eu.onkyo.com/>

ONKYO EUROPE ELECTRONICS GmbH (UK BRANCH)

The Coach House 81A High Street, Marlow, Buckinghamshire, SL7 1AB, UK
Tel: +44-(0)1628-473-350 Fax: +44-(0)1628-401-700

ONKYO CHINA LIMITED

Unit 1&12, 9/F, Ever Gain Plaza Tower 1, 88, Container Port Road, Kwai Chung,
N.T., Hong Kong. Tel: 852-2429-3118 Fax: 852-2428-9039
<http://www.ch.onkyo.com/>

